

Amtron Technology, Inc.

Industrial Grade 2.5" SATA III SSD AD Series Product Datasheet

V1.7

Table of Contents

1.	Introduction	4
1.1.	General Description	4
1.2.	Product Features	4
1.3.	Product Overview	5
1.4.	Block Diagram.....	6
2.	Product Specifications.....	7
2.1.	Product Dimension	7
2.2.	Capacity and Performance	8
2.3.	Thermal Throttling.....	11
2.4.	Compliance	12
3.	Environmental Specifications	13
3.1.	Environmental Conditions	13
3.1.1.	Temperature and Humidity	13
3.1.2.	Shock	14
3.1.3.	Vibration	14
3.1.4.	Drop	14
3.1.5.	Bending.....	14
3.1.6.	Electrostatic Discharge (ESD).....	14
3.1.7.	EMI Compliance.....	14
3.2.	Certification	14
4.	Electrical Specifications	15
4.1.	Supply Voltage	15
4.2.	Power Consumption.....	15
5.	Interface.....	16
5.1.	Pin Assignment and Descriptions	16
6.	Supported Commands.....	17
6.1.	ATA Command List	17
6.2.	Identify Device Data.....	22
6.3.	Write Protect Function (Optional)	27
6.4.	Quick Erase Function (Optional).....	27
7.	Acromym	28

8. Part Number Decoder..... 29

1. INTRODUCTION



1.1. General Description

Amtron industrial grade AD series 2.5" SATA SSD delivers all the advantages of flash disk technology with Serial ATA I/II/III interface, with features of low power consumption and hot-swapping when removing, replacing, upgrading flash disks. The device is designed based on the standard 7-pin interface for data segment and 15-pin for power segment.

Amtron AD series 2.5" SATA SSDs are available in a wide range from 120GB up to 8TB. It can reach high performance of up to 550MB/s read and 520MB/s write speed.

1.2. Product Features

- 3D TLC NAND flash
- RoHS compliant [Lead free]
- Compliant with SATA Specification 3.2
- High speed:
Read: 550 MB/s max., Write: 520 MB/s max.
- Endure severe thermal and dynamic environments
 - Operation Temperature (Wide grade): -40°C to 85°C
 - Shock: 1500g
 - Vibration: 20g
- MTBF: 1,500,000 hours
- Support S.M.A.R.T. Command
- Support AES / TCG OPAL
- Optional features
 - Power Loss Protection
 - Conformal Coating
- Controlled Bill of Materials (BOM)

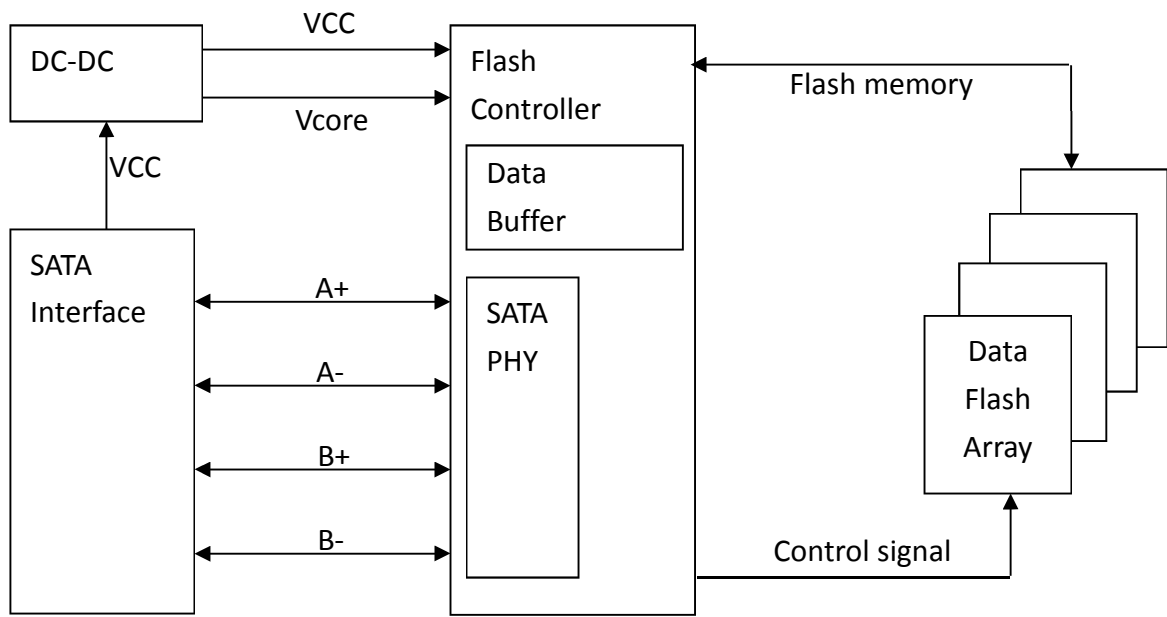
1.3. Product Overview

- **SATA Interface**
 - SATA Revision 3.2
 - SATA 1.5Gbps, 3Gbps, and 6Gbps interface
- **Flash Interface**
 - Flash Type: 3D TLC
 - Up to 16pcs of BGA132/152 flash
- **Capacity**
 - 120GB up to 7680GB
- **Performance**
 - Read up to 550 MB/s
 - Write up to 520 MB/s
- **Power Consumption**²
 - Active mode: < 4,900 mW
 - Idle mode: < 1800 mW
- **Low Power Management**
 - DIPM/HIPM Mode
 - DEVSLP Mode (optional)
- **MTBF**¹
 - 1,500,000 hours
- **Advanced Flash Management**
 - Static and Dynamic Wear Leveling
 - Bad Block Management
 - TRIM
 - SMART
 - Over-Provision
- **Temperature Range**
 - Operation (Standard): 0°C to 70°C
 - Operation (Wide): -40°C to 85°C
 - Storage: -40°C to 85°C
- **Features Support List**
 - End to end data path protection
 - Thermal throttling
 - SmartECC™
 - SmartRefresh™
 - Drive log
 - Support of AES/TCG OPAL³
- **Other Optional Features**
 - Power Loss Protection⁴
 - Conformal Coating
- **Compliant**
 - RoHS
 - CE & FCC

Notes:

1. MTBF, an acronym for Mean Time between Failures, is a measure of a device's reliability. Its value represents the average time between a repair and the next failure. The measure is typically in unit of hours. The higher the MTBF value, the higher the reliability of the product.
2. Please see Section 4.2 "Power Consumption" for details.
3. Supported by separate firmware version. Further information available upon request.
4. Power Loss Protection only support 480GB to 3840GB

1.4. Block Diagram



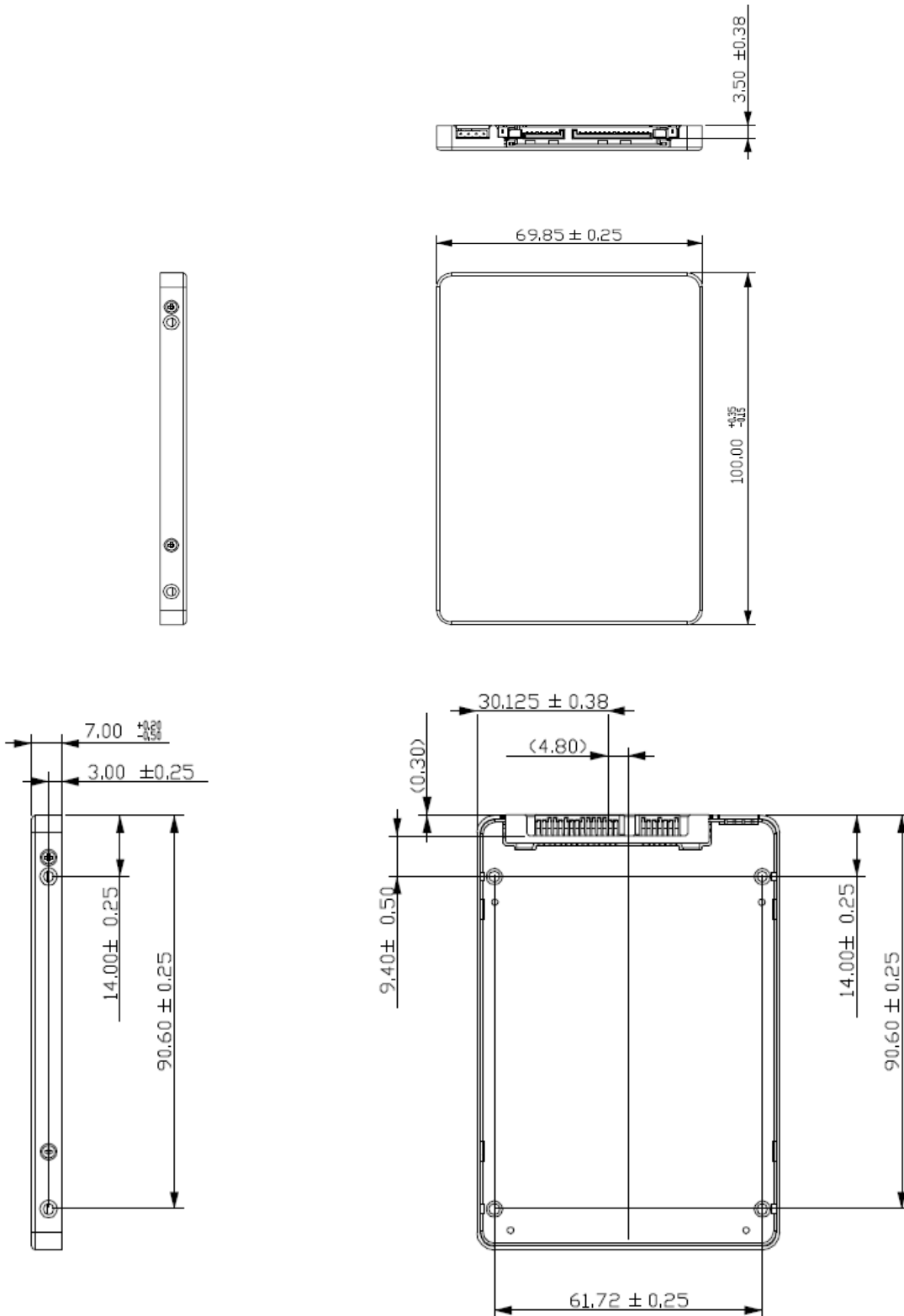
2.5" SATA SSD Block Diagram

2. PRODUCT SPECIFICATIONS



2.1. Product Dimension

Dimension: 100.10mm(L) x 69.85mm(W) x 7.00mm(H)



2.2. Capacity and Performance

- **Capacity**
 - From 120GB up to 7680GB
- **Electrical/Physical Interface**
 - SATA Interface
 - ◆ Compliant with SATA Revision 3.2
 - ◆ Compatible with SATA 1.5Gbps, 3Gbps and 6Gbps interface
 - ◆ Support expanded register for SATA protocol 48 bits addressing mode
 - ◆ Embedded BIST function for SATA PHY for low cost mass production
- **Supported NAND Flash**
 - Support up to 32 Flash Chip Enables (CE) within single design
 - Support 16pcs BGA132/152 flash
 - Support OFNI 4.0 & Toggle 2.0 interface: 8 channels at maximum
 - Support Kioxia 3D TLC
- **ECC Scheme**
 - Applies the LDPC (Low Density Parity Check) of ECC algorithm
- **UART / GPIO function**
- **Support SMART and TRIM commands**
- **Support Hardware Write Protect function (Optional)**
- **Support Hardware Quick Erase function (Optional)**
- **Support Hardware Power Loss Protection (Optional)**
 - Protect data loss, even the last data, during write process when power sudden off.
 - Add-on Polymer Tantalum Capacitors hold-up several milliseconds to keep DRAM data write to NAND Flash.

- **Capacity Information**

Capacity	Cylinders	Heads	Sectors	Total Sectors	User Data Size
120GB	16,383	16	63	234,441,648	Depended on file management
128GB	16,383	16	63	250,069,680	
240GB	16,383	16	63	468,862,128	
256GB	16,383	16	63	500,118,192	
480GB	16,383	16	63	937,703,088	
512GB	16,383	16	63	1,000,215,216	
960GB	16,383	16	63	1,875,385,008	
1TB	16,383	16	63	2,000,409,264	
1920GB	16,383	16	63	3,750,748,848	
2TB	16,383	16	63	4,000,797,360	
3840GB	16,383	16	63	7,501,476,528	
7680GB	16,383	16	63	15,002,931,888	

- **Performance**

- **3D Bics3:**

Capacity	Flash Structure	Flash Type	Sequential	
			Read (MB/s)	Write (MB/s)
120GB	64GB x 2	Bics3, BGA	550	160
240GB	64GB x 4	Bics3, BGA	550	290
480GB	64GB x 8	Bics3, BGA	550	500
960GB	128GB x 8	Bics3, BGA	550	520
1920GB	128GB x 16	Bics3, BGA	550	520
3840GB	256GB x 16	Bics3, BGA	550	520
7680GB	512GB x 16	Bics3, BGA	550	520

Notes:

1. The performance was measured CrystalDiskMark6.0 with SATA 6Gbps host and test data size is 1GB
2. The performance was estimated based on Kioxia BiCS3 TLC NAND flash.
3. Performance may differ according to flash configuration and platform.
4. The table above is for reference only. The criteria for MP (Mass Production) and for accepting goods shall be discussed based on different flash configuration.

- **TBW**

- **3D Bics3:**

Capacity	Flash Type	TBW
120GB	Bics3	188
240GB	Bics3	378
480GB	Bics3	794
960GB	Bics3	1580
1920GB	Bics3	3118
3840GB	Bics3	6114
7680GB	Bics3	11751

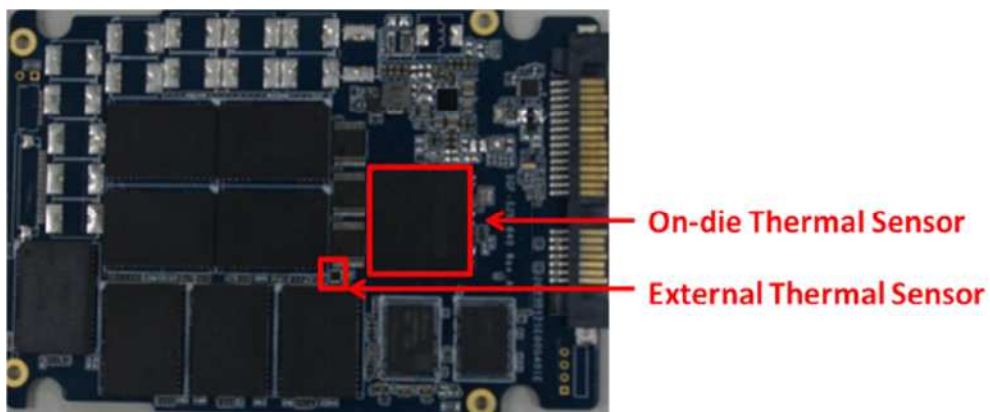
Notes:

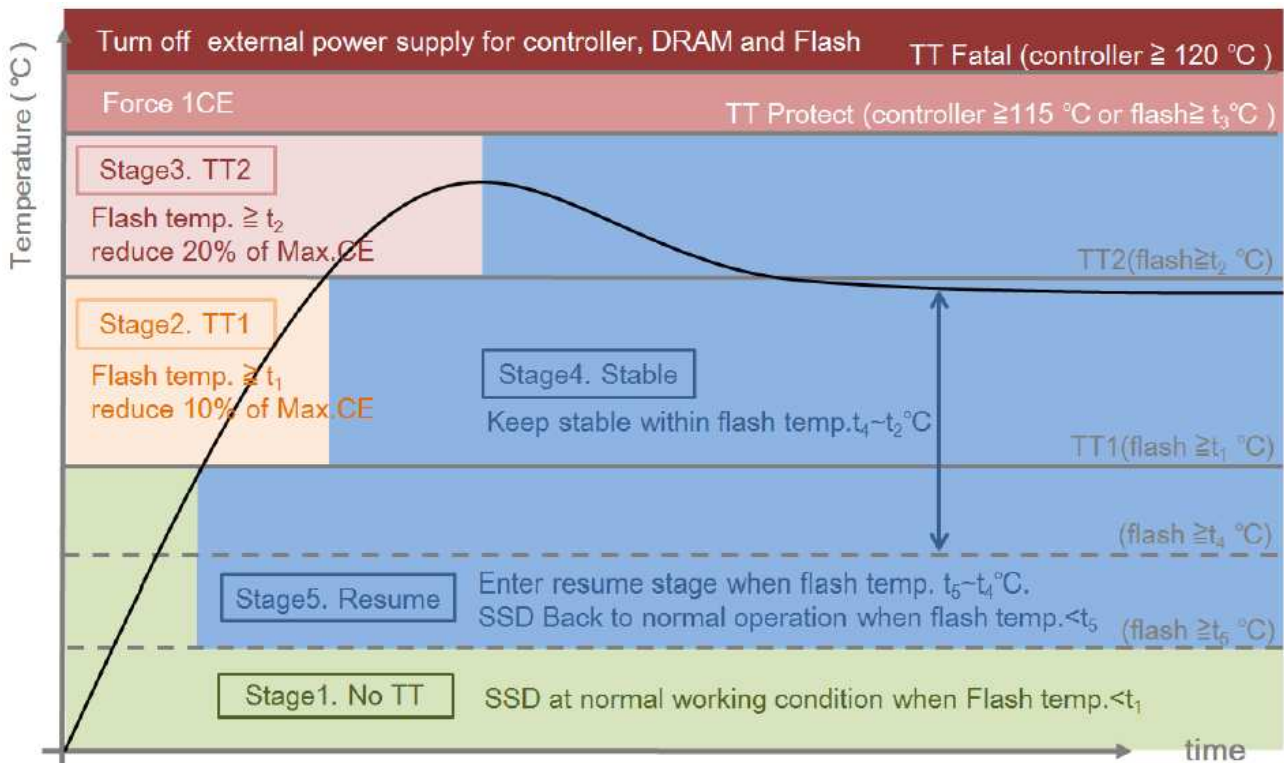
1. The test followed JEDEC219A client endurance workload.
2. TBW may differ according to flash configuration and platform.
3. The endurance of SSD could be estimated based on user behavior, NAND endurance cycles, and write amplification factor. It is not guaranteed by flash vendor.

2.3. Thermal Throttling

The purpose of thermal throttling is to prevent any components in a SSD from over-heating during read and write operations. The controller is designed with an on-die thermal sensor and with its accuracy, firmware can apply different levels of throttling to achieve the purpose of protection efficiently and proactively via S.M.A.R.T. reading.

- **SSD Configuration:**
 - Example 480GB SSD: (BiCS3 256Gb x 2CE) x 8pcs BGA132/152, total 16CE
 - CE = Chip Enable pins, max CE = All 16CE enabled. Total CE numbers depends on SSD configuration
- **Purpose of Thermal Throttling:**
 - In order to keep the optimal performance in the safe range of the temperature.
- **Thermal sensors:**
 - We have external thermal sensor & on-die thermal sensor (internal controller) to detect temperature. There is 1pcs external thermal sensor on PCB, the position depends on different form factor (The thermal sensor is shown below. The picture is for reference only).
 - External thermal sensor would detect flash temperature; On-die thermal sensor detect controller temperature.





	Operation temp. of Normal-temp. grade: 0-70°C	Operation temp. of Wide-temp. grade: -40-85°C
t₁	68°C	82°C
t₂	70°C	85°C
t₃	80°C	95°C
t₄	64°C	78°C
t₅	60°C	74°C

Notes:

1. TT shown on Figure 2-1 means "Thermal Throttling".
2. CE = Chip Enable.
3. temp. = temperature

2.4. Compliance

- SATA III (SATA Rev. 3.2)

3. ENVIRONMENTAL SPECIFICATIONS



3.1. Environmental Conditions

3.1.1. Temperature and Humidity

- Temperature:
 - ◆ Storage: -40°C to 85°C
 - ◆ Operational (Standard grade): 0°C to 70°C
 - ◆ Operational (Wide grade): -40°C to 85°C
- Humidity:
 - ◆ Standard grade: RH 90% under 40°C (operational)
 - ◆ Wide grade: RH 95% under 55°C (operational)

■ High Temperature Test Condition

	Temperature	Humidity
Operation	70°C / 85°C	0% RH
Storage	85°C	0% RH

■ Low Temperature Test Condition

	Temperature	Humidity
Operation	0°C / -40°C	0% RH
Storage	-40°C	0% RH

■ High Humidity Test Condition

	Temperature	Humidity
Operation	40°C	90% RH
Storage	40°C	93% RH

■ Temperature Cycle Test

	Temperature
Operation	0°C / -40°C
	70°C / 85°C
Storage	-40°C
	85°C

Notes:

1. Operation temperature is measured by device temperature sensor. Airflow is suggested and it will allow device to be operated at appropriate temperature for each component during heavy workloads environment.
2. Operation temperature shows in case temperature not ambient temperature, in which can be detected via the SMART.

3.1.2. Shock

■ Shock Specification

	Acceleration Force
Non-operational	1500G

3.1.3. Vibration

■ Vibration Specification

	Condition	
	Frequency/Displacement	Frequency/Acceleration
Non-operational	20Hz~80Hz/1.52mm	80Hz~2000Hz/20G

3.1.4. Drop

■ Drop Specification

	Height of Drop	Number of Drop
Non-operational	80cm free fall	6 face of each unit

3.1.5. Bending

■ Bending Specification

	Force	Action
Non-operational	≥ 20N	Hold 1min/5times

3.1.6. Electrostatic Discharge (ESD)

■ Contact ESD Specification

Specification	+/- 4KV
EN 55024, CISPR 24 EN 61000-4-2 and IEC 61000-4-2	Device functions are affected, but EUT will be back to its normal or operational state automatically.

3.1.7. EMI Compliance

Specification
EN 55032, CISPR 32 (CE) AS/NZS CISPR 32 (CE) ANSI C63.4 (FCC) VCCI-CISPR 32 (VCCI) CNS 13438 (BSMI)

3.2. Certification

- RoHS
- CE / FCC

4. ELECTRICAL SPECIFICATIONS



4.1. Supply Voltage

Parameter	Rating
Operating Voltage	5V ± 5%
Rise Time (Max/Min)	100ms / 0.1ms
Fall Time (Max/Min)	5s / 10ms
Min. off Time	1s

4.2. Power Consumption

■ 3D Bics3

Capacity	Flash Structure	Flash Type	CE#	Read	Write	Idle
120GB	64GB x 2	Bics3, BGA	4	2000	2100	1100
240GB	64GB x 4	Bics3, BGA	8	2200	2400	1100
480GB	64GB x 8	Bics3, BGA	16	2400	2900	1300
960GB	128GB x 8	Bics3, BGA	32	2700	3100	1600
1920GB	128GB x 16	Bics3, BGA	64	3000	3200	1600
3840GB	256GB x 16	Bics3, BGA	64	3200	4000	1600
7680GB	512GB x 16	Bics3, BGA	64	3600	4900	1800

Unit: mW

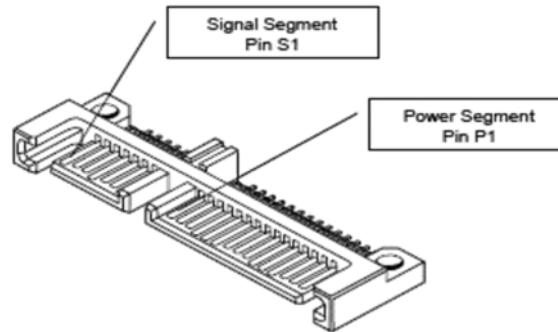
Notes:

1. The average value of power consumption is achieved based on 100% conversion efficiency.
2. The measured power voltage is 5V.
3. Samples were built using Kioxia 3D TLC NAND flash and measured under normal temperature.
4. Sequential R/W is measured while testing 1GB sequential R/W 5 times by CrystalDiskMark.
5. Power Consumption may differ according to flash configuration and platform.

5. INTERFACE



5.1. Pin Assignment and Descriptions



- Signal Segment Pin Assignment and Description

Pin Number	Function
S1	GND
S2	A+ (Differential Signal Pair A)
S3	A – (Differential Signal Pair A)
S4	GND
S5	B – (Differential Signal Pair B)
S6	B+ (Differential Signal Pair B)
S7	GND

- Power Segment Pin Assignment and Description

Pin Number	Function
P1	Not Used (3.3V)
P2	Not Used (3.3V)
P3	DEVSLP
P4	GND
P5	GND
P6	GND
P7	5V pre-charge
P8	5V
P9	5V
P10	GND
P11	Reserved
P12	GND
P13	Not Used (12V)
P14	Not Used (12V)
P15	Not Used (12V)

6. SUPPORTED COMMANDS



6.1. ATA Command List

Op Code	Support	Description	Op Code	Support	Description	
00h	Y	NOP	B6h	12h	-	NV Cache: QUERY NV CACHE PINNED SET DMA EXT
03h	-	CFA REQUEST EXTENDED ERROR	B6h	13h	-	NV Cache: QUERY NV CACHE MISSES DMA EXT
06h	Y	DATA SET MANAGEMENT	B6h	14h	-	NV Cache: FLUSH NV CACHE
08h	-	DEVICE RESET	C4h		Y	READ MULTIPLE
0Bh	-	REQUEST SENSE DATA EXT	C5h		Y	WRITE MULTIPLE
10h	Y	RECALIBRATE	C6h		Y	SET MULTIPLE MODE
11h-1Fh	-	RECALIBRATE	C7h		-	READ DMA QUEUED
20h	Y	READ SECTOR(S)	C8h		Y	READ DMA
21h	Y	READ SECTOR(S) WITHOUT RETRY	C9h		Y	READ DMA WITHOUT RETRY
22h	-	READ LONG	CAh		Y	WRITE DMA
23h	-	READ LONG WITHOUT RETRY	CBh		Y	WRITE DMA WITHOUT RETRY
24h	Y	READ SECTOR(S) EXT	CCh		-	WRITE DMA QUEUED
25h	Y	READ DMA EXT	CDh		-	CFA WRITE MULTIPLE WITHOUT ERASE
26h	-	READ DMA QUEUED EXT	CEh		Y	WRITE MULTIPLE FUA EXT
27h	Y	READ NATIVE MAX ADDRESS EXT	D1h		-	CHECK MEDIA CARD TYPE
29h	Y	READ MULTIPLE EXT	DAh		-	GET MEDIA STATUS
2Ah	-	READ STREAM DMA EXT	DEh		-	MEDIA LOCK
2Bh	-	READ STREAM EXT	DFh		-	MEDIA UNLOCK
2Fh	Y	READ LOG EXT	E0h		Y	STANDBY IMMEDIATE
30h	Y	WRITE SECTOR(S)	E1h		Y	IDLE IMMEDIATE
31h	Y	WRITE SECTOR(S) WITHOUT RETRY	E2h		Y	STANDBY
32h	-	WRITE LONG	E3h		Y	IDLE
33h	-	WRITE LONG WITHOUT RETRY	E4h		Y	READ BUFFER
34h	Y	WRITE SECTOR(S) EXT	E5h		Y	CHECK POWER MODE
35h	Y	WRITE DMA EXT	E6h		Y	SLEEP
36h	-	WRITE DMA QUEUED EXT	E7h		Y	FLUSH CACHE
37h	Y	SET MAX ADDRESS EXT	E8h		Y	WRITE BUFFER

Op Code	Support	Description	Op Code	Support	Description		
38h	-	CFA WRITE SECTORS WITHOUT ERASE	E9h	Y	READ BUFFER DMA		
39h	Y	WRITE MULTIPLE EXT	EAh	Y	FLUSH CACHE EXT		
3Ah	-	WRITE STREAM DMA EXT	EBh	Y	WRITE BUFFER DMA		
3Bh	-	WRITE STREAM EXT	ECh	Y	IDENTIFY DEVICE		
3Ch	-	WRITE VERIFY	EDh	-	MEDIA EJECT		
3Dh	Y	WRITE DMA FUA EXT	EEh	-	IDENTIFY DEVICE DMA		
3Eh	-	WRITE DMA QUEUED FUA EXT	EFh	01h	-	SET FEATURES: Enable 8-bit PIO transfer mode (CFA feature set only)	
3Fh	Y	WRITE LOG EXT	EFh	02h	Y	SET FEATURES: Enable write cache	
40h	Y	READ VERIFY SECTOR(S)	EFh	03h	Y	SET FEATURES: Set transfer mode based on value in Count field	
41h	Y	READ VERIFY SECTOR(S) WITHOUT RETRY	EFh	05h	Y	SET FEATURES: Enable advanced power management	
42h	Y	READ VERIFY SECTOR(S) EXT	EFh	06h	-	SET FEATURES: Enable Power-Up In Standby feature set	
44h	-	Reserved	EFh	07h	-	SET FEATURES: Power-Up In Standby feature set device spin-up	
45h	O	WRITE UNCORRECTABLE EXT	EFh	0Ah	-	SET FEATURES: Enable CFA power mode 1	
47h	Y	READ LOG DMA EXT	EFh	0Bh	-	SET FEATURES: Enable Write-Read-Verify feature set	
50h	-	FORMAT TRACK	EFh	10h	01h	-	SET FEATURES: Enable use of Serial ATA feature
51h	-	CONFIGURE STREAM	EFh	10h	02h	Y	SET FEATURES: Enable DMA Setup FIS Auto-Activate optimization
57h	Y	WRITE LOG DMA EXT	EFh	10h	03h	Y	SET FEATURES: Enable Device-initiated interface power state (DIPM) transitions
60h	Y	READ FPDMA QUEUED	EFh	10h	04h	-	SET FEATURES: Enable use of Serial ATA feature
61h	Y	WRITE FPDMA QUEUED	EFh	10h	05h	-	SET FEATURES: Enable use of Serial ATA feature
70h	Y	SEEK	EFh	10h	06h	O	SET FEATURES: Enable Software Settings Preservation (SSP)

Op Code	Support	Description	Op Code			Support	Description
71-76h	-	SEEK	EFh	10h	07h	Y	SET FEATURES: Enable Device Automatic Partial to Slumber transitions
77h	Y	SET DATE AND TIME EXT	EFh	10h	09h	O	SET FEATURES: Enable Device Sleep
78h	Y	ACCESSIBLE MAX ADDRESS CONFIGURATION	EFh	42h		-	SET FEATURES: Enable Automatic Acoustic Management feature set
79-7Fh	-	SEEK	EFh	43h		-	SET FEATURES: Set Maximum Host Interface Sector Times
87h	-	CFA TRANSLATE SECTOR	EFh	44h		-	SET FEATURES: Vendor Specific ECC byte
90h	Y	EXECUTE DEVICE DIAGNOSTIC	EFh	55h		Y	SET FEATURES: Disable read look-ahead feature
91h	Y	INITIALIZE DEVICE PARAMETERS	EFh	5Dh		-	SET FEATURES: Enable release interrupt
92h	Y	DOWNLOAD MICROCODE	EFh	5Eh		-	SET FEATURES: Enable service interrupt
93h	Y	DOWNLOAD MICROCODE DMA	EFh	5Fh		-	SET FEATURES: Enable NDRQ Feature
94h	-	STANDBY IMMEDIATE	EFh	66h		Y	SET FEATURES: Disable reverting to power-on defaults
95h	-	IDLE IMMEDIATE	EFh	81h		-	SET FEATURES: Disable 8-bit PIO transfer mode (CFA feature set only)
96h	-	STANDBY	EFh	82h		Y	SET FEATURES: Disable write cache
97h	-	IDLE	EFh	85h		Y	SET FEATURES: Disable advanced power management
98h	-	CHECK POWER MODE	EFh	86h		-	SET FEATURES: Disable Power-Up In Standby feature set
99h	-	SLEEP	EFh	8Ah		-	SET FEATURES: Disable CFA power mode
A0h	-	PACKET	EFh	8Bh		-	SET FEATURES: Disable Write-Read-Verify feature set
A1h	-	IDENTIFY PACKET DEVICE	EFh	90h	01h	-	SET FEATURES: Disable use of Serial ATA feature
A2h	-	SERVICE	EFh	90h	02h	Y	SET FEATURES: Disable DMA Setup FIS Auto-Activate optimization

Op Code		Support	Description	Op Code			Support	Description
B0h	D0h	Y	SMART: READ DATA	EFh	90h	03h	Y	SET FEATURES: Disable Device-initiated interface power state (DIPM) transitions
B0h	D1h	Y	SMART: READ ATTRIBUTE THRESHOLDS	EFh	90h	04h	-	SET FEATURES: Disable use of Serial ATA feature
B0h	D2h	Y	SMART: ENABLE/DISABLE AUTOSAVE	EFh	90h	05h	-	SET FEATURES: Disable use of Serial ATA feature
B0h	D3h	Y	SMART: SAVE ATTRIBUTE VALUES	EFh	90h	06h	Y	SET FEATURES: Disable Software Settings Preservation (SSP)
B0h	D4h	Y	SMART: EXECUTE OFF-LINE IMMEDIATE	EFh	90h	07h	Y	SET FEATURES: Disable Device Automatic Partial to Slumber transitions
B0h	D5h	Y	SMART: READ LOG	EFh	90h	09h	O	SET FEATURES: Disable Device Sleep
B0h	D6h	Y	SMART: WRITE LOG	EFh	AAh		Y	SET FEATURES: Enable read look-ahead feature
B0h	D8h	Y	SMART: ENABLE OPERATIONS	EFh	BBh		-	SET FEATURES: Default ECC byte
B0h	D9h	Y	SMART: DISABLE OPERATIONS	EFh	C2h		-	SET FEATURES: Disable Automatic Acoustic Management feature set
B0h	DAh	Y	SMART: RETURN STATUS	EFh	C3h		-	SET FEATURES: Enable/Disable the Sense Data Reporting feature set
B0h	DBh	Y	SMART: ENABLE/DISABLE AUTOMATIC OFF-LINE	EFh	CCh		Y	SET FEATURES: Enable reverting to power-on defaults
B0h	E0h	-	SMART: Vendor specific	EFh	DDh		-	SET FEATURES: Disable release interrupt
B1h	C0h	Y	DEVICE CONFIGURATION: RESTORE	EFh	DEh		-	SET FEATURES: Disable SERVICE interrupt
B1h	C1h	Y	DEVICE CONFIGURATION: FREEZE LOCK	EFh	DFh		-	SET FEATURES: Disable NDRQ Feature
B1h	C2h	Y	DEVICE CONFIGURATION: IDENTIFY	F1h			Y	SECURITY SET PASSWORD
B1h	C3h	Y	DEVICE CONFIGURATION: SET	F2h			Y	SECURITY UNLOCK
B1h	C4h	Y	DEVICE CONFIGURATION: IDENTIFY DMA	F3h			Y	SECURITY ERASE PREPARE
B1h	C5h	Y	DEVICE CONFIGURATION: SET DMA	F4h			Y	SECURITY ERASE UNIT

Op Code		Support	Description	Op Code		Support	Description
B4h	0000h	O	SANITIZE DEVICE: SANITIZE STATUS EXT	F5h		Y	SECURITY FREEZE LOCK
B4h	0011h	O	SANITIZE DEVICE: CRYPTO SCRAMBLE EXT	F6h		Y	SECURITY DISABLE PASSWORD
B4h	0012h	O	SANITIZE DEVICE: BLOCK ERASE EXT	F8h		Y	READ NATIVE MAX ADDRESS
B4h	0014h	O	SANITIZE DEVICE: OVERWRITE EXT	F9h	00h	Y	SET MAX: SET MAX ADDRESS
B4h	0020h	O	SANITIZE DEVICE: SANITIZE FREEZE LOCK EXT	F9h	01h	Y	SET MAX: SET MAX PASSWORD
B4h	0040h	O	SANITIZE DEVICE: SANITIZE ANTIFREEZE LOCK EXT	F9h	02h	Y	SET MAX: SET MAX LOCK
B6h	00h	-	NV Cache: SET NV CACHE POWER MODE EXT	F9h	03h	Y	SET MAX: SET MAX UNLOCK
B6h	01h	-	NV Cache: RETURN FROM NV CACHE POWER MODE EXT	F9h	04h	Y	SET MAX: SET MAX FREEZE LOCK
B6h	10h	-	NV Cache: ADD LBA(S) TO NV CACHE PINNED SET DMA EXT	F9h	05h	Y	SET MAX: SET MAX SET PASSWORD DMA
B6h	11h	-	NV Cache: REMOVE LBA(S) FROM NV CACHE PINNED SET DMA EXT	F9h	06h	Y	SET MAX: SET MAX UNLOCK DMA

Notes:

"Y" means "Support".

"O" means "Option,default not support".

"-" means "Not support".

6.2. Identify Device Data

The following table details the sector data returned by the IDENTIFY DEVICE command of ATA8-ACS4 SPEC.

Word	F: Fixed V: Variable X: retired/obsolete /reserved	Default Value	Description
0	F	0040h	General configuration bit-significant information
1	X	*1	Obsolete – Number of logical cylinders
2	F	C837h	Specific configuration
3	X	0010h	Obsolete – Number of logical heads (16)
4-5	X	00000000h	Retired
6	X	003Fh	Obsolete – Number of logical sectors per logical track (63)
7-8	X	00000000h	Reserved for assignment by the Compact Flash Association
9	X	0000h	Retired
10-19	V	Varies	Serial number (20 ASCII characters)
20-21	X	0000h	Retired
22	X	0000h	Obsolete
23-26	V	Varies	Firmware revision (8 ASCII characters)
27-46	V	Varies	Model number (xxxxxxxx)
47	F	8010h	7:0- Maximum number of sectors transferred per interrupt on MULTIPLE commands
48	F	4000h	Reserved
49	F	2F00h	Capabilities
50	F	4000h	Capabilities
51-52	X	000000000h	Obsolete
53	F	0007h	Words 88 and 70:64 valid
54	X	*1	Obsolete – Number of logical cylinders
55	X	0010h	Obsolete – Number of logical heads (16)
56	X	003Fh	Obsolete – Number of logical sectors per track (63)
57-58	X	*2	Obsolete – Current capacity in sectors
59	F	0110h	Number of sectors transferred per interrupt on MULTIPLE commands
60-61	V	*3	Maximum number of sector (28bit LBA mode)
62	X	0000h	Obsolete
63	F	0407h	Multi-word DMA modes supported/selected

Word	F: Fixed V: Variable X: retired/obsolete /reserved	Default Value	Description
64	F	0003h	PIO modes supported
65	F	0078h	Minimum Multiword DMA transfer cycle time per word
66	F	0078h	Manufacturer's recommended Multiword DMA transfer cycle time
67	F	0078h	Minimum PIO transfer cycle time without flow control
68	F	0078h	Minimum PIO transfer cycle time with IORDY flow control
69	F	1F00h	Additional Supported
70	X	0000h	Reserved
71-74	X	000000000000 0000h	Reserved for the IDENTIFY PACKET DEVICE command
75	F	001Fh	Queue depth
76	F	850Eh	Serial SATA capabilities
77	F	0006h	Supported Serial ATA Phy speed
78	F	004Ch	Serial ATA features supported
79	F	0040H	Serial ATA features enabled
80	F	0FF8h	Major Version Number
81	F	0000h	Minor Version Number
82	F	746Bh	Command set supported
83	F	7D01h	Command set supported
84	F	4163h	Command set/feature supported extension
85	F	7469h	Command set/feature supported or enabled
86	F	BC01h	Command set/feature supported or enabled
87	F	4163h	Command set/feature supported or enabled
88	F	007Fh	Ultra DMA Modes
89	F	000Ah	Time required for Normal Erase mode SECURITY ERASE UNIT command
90	F	001Eh	Time required for an Enhanced Erase mode SECURITY ERASE UNIT command
91	F	0000h	Current advanced power management value
92	F	FFFEh	Master Password Revision Code
93	F	0000h	Hardware reset result. The contents of the bits (12:0) of this word can be changed only during the execution of hardware reset.

Word	F: Fixed V: Variable X: retired/obsolete /reserved	Default Value	Description
94	X	0000h	Vendor's recommended and actual acoustic management value
95	F	0000h	Stream Minimum Request Size
96	F	0000h	Streaming Transfer Time – DMA
97	F	0000h	Streaming Access Latency – DMA and PIO
98-99	F	0000h	Streaming Performance Granularity
100-103	V	*4	Maximum user LBA for 48 bit Address feature set
104	F	0000h	Streaming Transfer Time – PIO
105	F	0008h	Maximum number of 512-byte blocks per DATA SET MANAGEMENT command
106	F	4000h	Physical sector size/Logical sector size
107	F	0000h	Inter-seek delay for ISO-7779 acoustic testing in microseconds
108-111	F	Varies	Reserved
112-115	X	000000000000 0000h	Reserved
116	X	0000h	Reserved
117-118	F	00000000h	Words per logical Sector
119	F	401Ch	Supported settings
120	F	401Ch	Command set/Feature Enabled/Supported
121-126	X	0h	Reserved
127	X	0h	Obsolete
128	F	0021h	Security status
129-159	V	Varies	Vendor specific
160	X	0h	Compact Flash Association (CFA) power mode 1
161-167	X	0h	Reserved for assignment by the CFA
168	V	Varies	Device Nominal Form Factor
169	F	0001h	DATA SET MANAGEMENT command is supported
170-173	F	0h	Additional Product Identifier
174-175	X	0h	Reserve
176-205	F	0h	Current media serial number
206	F	0039h	SCT Command Transport

Word	F: Fixed V: Variable X: retired/obsolete /reserved	Default Value	Description
207-208	X	0h	Reserved
209	F	4000h	Alignment of logical blocks within a physical block
210-211	F	0000h	Write-Read-Verify Sector Count Mode 3 (not support)
212-213	F	0000h	Write-Read-Verify Sector Count Mode 2 (not support)
214-216	X	0000h	NV Cache relate (not support)
217	F	0001h	Non-rotating media device
218	X	0h	Reserved
219	X	0h	NV Cache relate (not support)
220	V	0h	Write read verify feature set current mode
221	X	0h	Reserved
222	F	10FFh	Transport major version number
223	F	0h	Transport minor version number
224-229	X	0h	reserved
230-233	F	0h	Extend number of user addressable sectors
234	F	0001h	Minimum number of 512-byte data blocks per DOWNLOAD MICROCODE command for mode 03h
235	F	FFFEh	Maximum number of 512-byte data blocks per DOWNLOAD MICROCODE command for mode 03h
236-242	X	0h	Reserved
243	X	0000h	Reserved
244-254	X	0h	Reserved
255	F	XXA5h XX is variable	Integrity word (Checksum and Signature)

■ List of Device Identification for Each Capacity

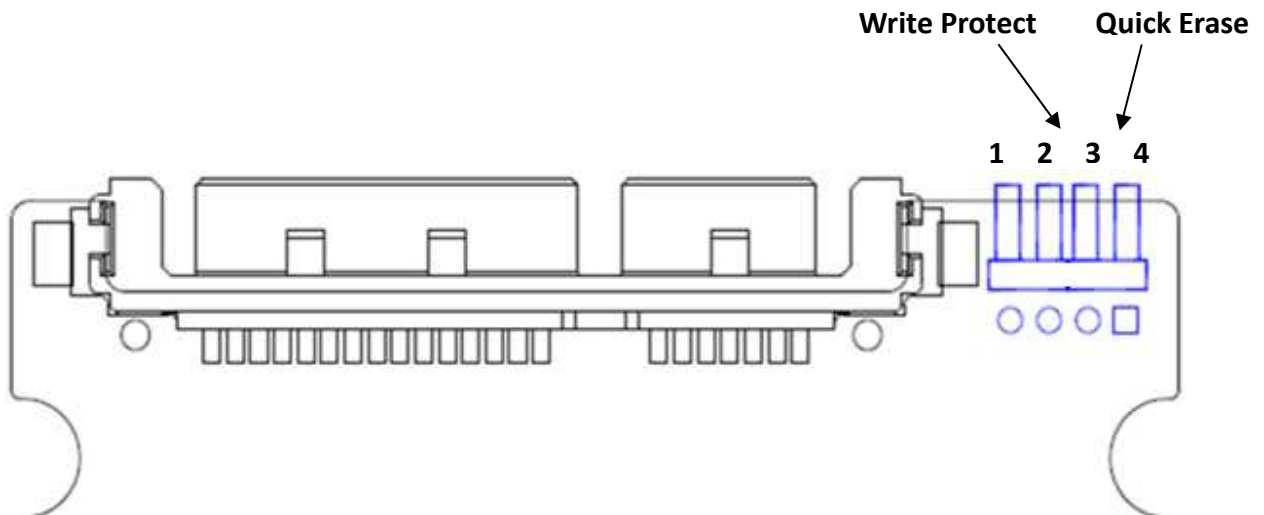
Capacity (GB)	*1 (Word 1/Word 54)	*2 (Word 57–58)	*3 (Word 60–61)	*4 (Word 100–103)
120	3FFFh	FBFC10h	DF94BB0h	DF94BB0h
128	3FFFh	FBFC10h	EE7C2B0h	EE7C2B0h
240	3FFFh	FBFC10h	0FFFFFFFh	1BF244B0h
256	3FFFh	FBFC10h	0FFFFFFFh	1DCF32B0h
480	3FFFh	FBFC10h	0FFFFFFFh	37E436B0
512	3FFFh	FBFC10h	0FFFFFFFh	3B9E12B0h
960	3FFFh	FBFC10h	0FFFFFFFh	6FC81AB0h
1024	3FFFh	FBFC10h	0FFFFFFFh	773BD2B0h
1920	3FFFh	FBFC10h	0FFFFFFFh	DF8FE2B0h
2048	3FFFh	FBFC10h	0FFFFFFFh	EE7752B0h
3840	3FFFh	FBFC10h	0FFFFFFFh	1BF1F72B0h
7680	3FFFh	FBFC10h	0FFFFFFFh	37E3E92B0h

6.3. Write Protect Function (Optional)

The write protect function is triggered by pin2 and pin3 short of pin header. This used to set the device as a write protection device after power up. When the function is triggered, the data can't be written to the device. The device is then set as read only.

6.4. Quick Erase Function (Optional)

The Quick Erase is a special feature to allow users to erase user data of SSD by hardware trigger. When this feature is triggered by pin3 and pin4 short of pin header, the SSD controller will write all "0x00" to wipe all the data except firmware area, and the SSD will return to its factory default setting. This feature is particularly useful for emergent circumstances to quickly erase user data.



7. ACROMYIM



The following table is to list out the acronyms that have been applied throughout the document.

Term	Definitions
AES	Advanced encryption standard
ATTO	Commercial performance benchmark application
DEVSLP	Device Sleep Mode
DIPM	Device initiated power management
HIPM	Host initiated power management
LBA	Logical block addressing
MB	Mega-byte
MTBF	Mean time between failures
NCQ	Native command queue
PLP	Power Loss Protection
SATA	Serial advanced technology attachment
S.M.A.R.T.	Self-monitoring, analysis and reporting technology
SSD	Solid state disk

8. PART NUMBER DECODER



SFD-2ADX¹X²X³X⁴X⁵X⁶X⁷X⁸

Item		Series	Capacity (Byte)	NAND Flash	Option
			X ¹ X ² X ³ X ⁴ X ⁵	X ⁶	X ⁷ X ⁸
SFD	2	AD	0120G 0240G 0480G 0960G 1920G 3840G 7680G	A : 3D TLC Standard (0°C to +70°C) B : 3D TLC Industrial (-40°C to +85°C)	

X⁷X⁸

Blank : Standard

- 01 : Write Protection (WP)
- 03 : Quick Erase Jumper (QEJ)
- 06 : Conformal Coating (CC)
- 07 : CC + WP
- 09 : CC + QEJ
- 20 : Power Loss Protection (PLP)
- 21 : PLP + CC
- 22 : Advanced Encryption Standard (AES) + QEJ
- 24 : PLP + QEJ
- 28 : PLP + AES
- 30 : DEVSLP Function
- 31 : AES + OPAL (PSID code)
- 32 : PLP + AES + OPAL (PSID code)
- 35 : PLP + WP
- 36 : PLP + WP + CC
- 37 : PLP + AES + CC