

MLC

mSATA Mini SATA III Module

HERMES-J Series

(JEDEC MO-300B)

Document No. : 100-xBMSH-JJCTMB

Version No. : 02V0

Date : June, 2019



ISO 9001 : 2015 CERTIFIED



Product Features

■ Flash IC

- TOSHIBA 15nm NAND Flash IC.
- Multi-Level Cell (MLC) management

■ Compatibility

- SATA Revision 3.1
- SATA 1.5Gb/s; SATA 3Gb/s & SATA 6Gb/s data transfer rate.

■ Additional Capabilities

- S.M.A.R.T.*1 (Self-Monitoring, Analysis and Reporting Technology) feature set support.
- Thermal Monitor for Module's temperature.
- Native Command Queuing (NCQ) support.
- TRIM maintenance command support.
- Static wear-leveling algorithm

■ Mechanical

- JEDEC MO-300B half size Solid State Drive
- 52 pos. Edge Connector, PCI Express (PCIe) mini
- Dimension: 26.8 mm x 29.8 mm.
- Weight: 3.5 g / 0.12 oz.

■ Power Operating Voltage 3.3V(+/-) 5%

- Read Mode: 197.0 mA (max.)
- Write Mode: 241.0 mA (max.)
- Idle Mode: 155.0 mA (max.)

■ Performance (Maximum value) *2

- Sequential Read: 230.9 MB/sec. (max.)
- Sequential Write: 79.4 MB/sec. (max.)

■ Capacity

- 4GB, 8GB, 16GB, 32GB, 64GB and 128GB

■ Reliability

- **TBW:** Up to 38.4 TBW at 128GB Capacity.
(Client workload by JESD-219A)
- **ECC:** Automatic 40 bits per 1024 bytes error correction (ECC) and retry capabilities.
- **Temperature:** (Operating)
Standard Grade: 0°C ~ +70°C
Wide Temp. Grade: -40°C ~ +85°C
- **Vibration:** 70 Hz to 2K Hz, 20G, 3 axes.
- **Shock:** 0.5ms, 1500 G, 3 axes

■ Certifications and Declarations

- **Certifications:** CE & FCC
- **Declarations:** RoHS & REACH


Remarks:

1. Support official S.M.A.R.T. Utility.
2. Sequential performance is based on CrystalDiskMark 5.1.2 with file size 1000MB

Order Information

I. Part Number List

◆ APRO MLC mSATA Mini (half size) SATA III Module HERMES-J Series

Product Picture	Grade	Standard grade (0°C ~ 70°C)	Wide Temp Grade (-40°C ~ +85°C)
	4GB	SBMSH004G-JJCTMB-(T)	WBMSH004G-JJCTMB-(T)C
	8GB	SBMSH008G-JJCTMB-(T)	WBMSH008G-JJCTMB-(T)C
	16GB	SBMSH016G-JJCTMB-(T)	WBMSH016G-JJCTMB-(T)C
	32GB	SBMSH032G-JJCTMB-(T)	WBMSH032G-JJCTMB-(T)C
	64GB	SBMSH064G-JJCTMB-(T)	WBMSH064G-JJCTMB-(T)C
	128GB	SBMSH128G-JJCTMB-(T)	WBMSH128G-JJCTMB-(T)C

Notes:

- **HERMES-J Series:** 4GB ~ 128GB
- **C :** Special conformal coating treated on whole PCBA which may support industrial grade operating temperature -40°C ~ +85°C

II. Part Number Decoder:

X1 X2 X3 X4 X5 X6 X7 X8 X9 — **X11 X12 X13 X14 X15 X16** — **X18 X19**

X1 : Grade

S: Standard Grade – operating temp. 0° C ~ 70 ° C

W: Wide Temp Grade- operating temp. -40° C ~ +85 ° C

X2 : The material of case

B : Bare (without casing)

X3 X4 X5 : Product category

MSH : mini SATA Flash Module Half Size

X6 X7 X8 X9 : Capacity

004G:	4GB	064G:	64GB
008G:	8GB	128G:	128GB
016G:	16GB		
032G:	32GB		

X11 : Controller

J : HERMES Series

X12 : Controller version

A, B, C.....

X13 : Controller Grade

C : Commercial grade

X14 : Flash IC

T : Toshiba MLC-NAND Flash IC

X15 : Flash IC grade / Type

M : MLC-NAND Flash IC

X16 : MLC Technology

B : Toshiba 15nm MLC

X18 X19 : Reserved for specific requirement

Blank : Standard product w/o thermal sensor and conformal-coating

T : Thermal Sensor (optional)

C : Conformal coating (optional)

Revision History

Revision	Description	Date
1.0	Initial release	2016/3/16
1.1	Add the option for thermal sensor	2018/11/02
1.2	Updated Version	2018/11/28
2.0	Updated document form	2019/06/05

Contents

Product Features	- 2 -
Order Information	- 3 -
I. Part Number List	- 3 -
II. Part Number Decoder:	- 3 -
Revision History	- 4 -
Contents	- 5 -
1. Introduction	- 6 -
1.1. Scope	- 7 -
1.2. Flash Management Technology - Static Wear Leveling	- 7 -
1.3. Bad Block Management	- 7 -
2. Product Specifications	- 8 -
2.1. System Environmental Specifications	- 8 -
2.2. System Power Requirements	- 8 -
2.3. System Performance	- 8 -
2.4. System Reliability	- 9 -
2.5. Physical Specifications	- 9 -
2.6. Conformal coating	- 10 -
3. Interface Description	- 11 -
3.1. mSATA Mini SATA III Flash Module interface	- 11 -
3.2. Pin Assignments	- 12 -
Appendix A: Limited Warranty	- 13 -

1. Introduction

APRO MLC mSATA Mini (half size) SATA III Module HERMES-J Series provides high capacity flash memory Solid State Drive (Module) that electrically complies with Serial ATA 3.1 (SATA) standard. APRO MLC mSATA Mini (half size) SATA III Module HERMES-J Series support SATA 1.5Gb/s; SATA 3Gb/s & SATA 6Gb/s data transfer rate with high performance. It is designed with mSATA form factor by JEDEC MO-300B standard. The available disk capacities are 4GB, 8GB, 16GB, 32GB, 64GB, and 128GB.

The operating temperature grade is optional for Standard grade 0°C ~ 70°C and wide temp grade with conformal coating supports -40°C ~ +85°C. The data transfer performance by sequential read is up to 220.0 MB/sec, and sequential write is up to 80.0 MB/sec.

APRO MLC mSATA Mini (half size) SATA III Module HERMES-J Series provides a high level interface to the host computer. This interface allows a host computer to issue commands to the APRO MLC mSATA Mini (half size) SATA III Module HERMES-J Series to read or write blocks of memory. This unit implements an algorithm that can correct 40bits per 1024bytes in an ECC block. APRO MLC mSATA Mini (half size) SATA III Module HERMES-J Series intelligent controller manages interface protocols, data storage and retrieval as well as ECC, bad block management and diagnostics, power management and clock control.

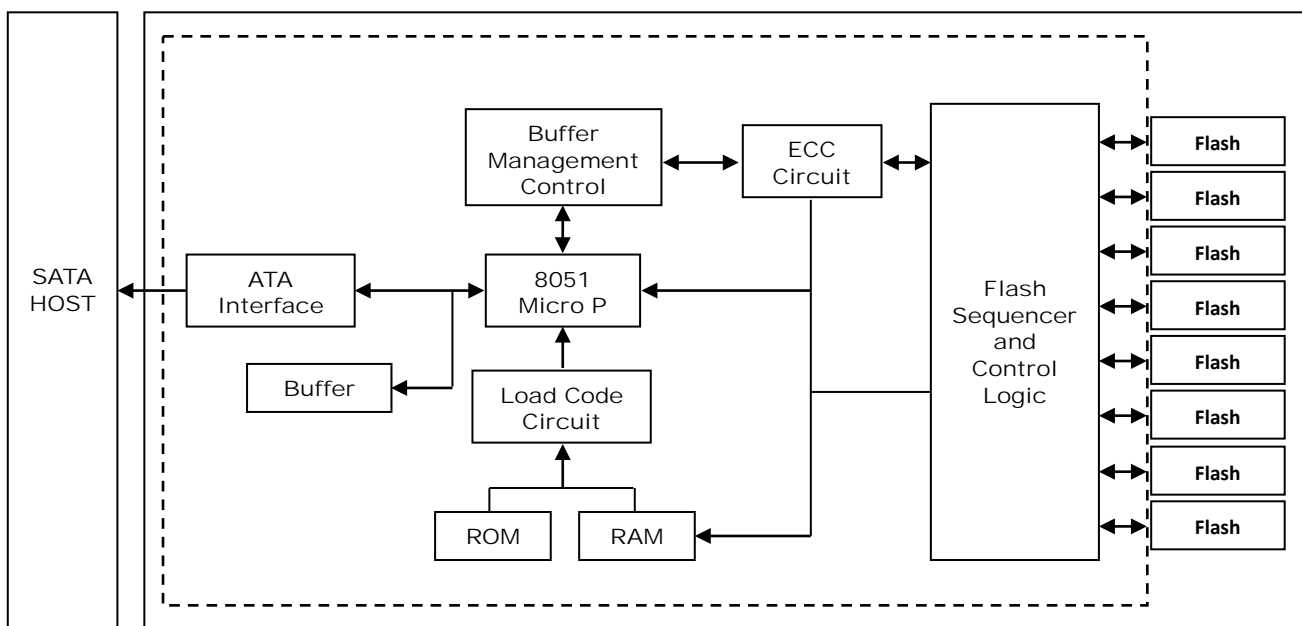


Figure 1: APRO MLC mSATA Mini SATA III Flash Module HERMES-J Series block diagram

1.1. *Scope*

This document describes features, specifications and installation guide of APRO MLC mSATA Mini (half size) SATA III Module HERMES-J Series. In the appendix, there provides order information, warranty policy, RMA/DOA procedure for the most convenient reference.

1.2. *Flash Management Technology - Static Wear Leveling*

In order to gain the best management for flash memory, APRO MLC mSATA Mini (half size) SATA III Module HERMES-J Series supports Static Wear-leveling technology to manage the Flash system. The life of flash memory is limited; the management is to increase the life of the flash product.

A static wear-leveling algorithm evenly distributes data over an entire Flash cell array and searches for the least used physical blocks. The identified low cycled sectors are used to write the data to those locations. If blocks are empty, the write occurs normally. If blocks contain static data, it moves that data to a more heavily used location before it moves the newly written data. The static wear leveling maximizes effective endurance Flash array compared to no wear leveling or dynamic wear leveling.

1.3. *Bad Block Management*

➤ **Early Bad Block**

The fault block generated during the manufacturing process of NAND Flash is called Early Bad Block.

➤ **Later Bad Block**

In the process of use, as the number of operations of writing and erasing increases, a fault block is gradually generated, which is called a Later Bad Block.

Bad block management is a management mechanism for a bad block to be detected by the control IC and mark bad blocks in the NAND Flash and improve the reliability of data access. The bad block management mechanism of the control IC will establish a **Bad Block Table** when the NAND Flash is started for the first time, and will also record the errors found in the process of use in the bad block table, and data is ported to new valid blocks to avoid data loss.

In order to detect the initial bad blocks to handle run time bad blocks, APRO MLC mSATA Mini (half size) SATA III Module HERMES-J Series provides the **Bad Block Management** scheme. It remaps a bad block to one of the reserved blocks so that the data contained in one bad block is not lost and new data writes on a bad block is avoided.

2. Product Specifications

For all the following specifications, values are defined at ambient temperature and nominal supply voltage unless otherwise stated.

2.1. System Environmental Specifications

Table 1: Environmental Specification

APRO MLC mSATA Mini (half size) SATA III Module		Standard Grade	Wide Temp Grade
HERMES-J Series		SBMSHxxxG-JJCTMB	WBMSHxxxG-JJCTMBC
Temperature	Operating:	0°C ~ +70°C	-40°C ~ +85°C
	Non-operating:	-20°C ~ +80°C	-50°C ~ +95°C
Humidity	Operating & Non-operating:	10% ~ 95% non-condensing	
	Frequency/Acceleration:	70 Hz to 2K Hz, 20G, 3 axes	
Shock	Operating & Non-operating:	0.5ms, 1500 G, 3 axes	
Electrostatic Discharge (ESD)	Temperature:	24°C	
	Relative Humidity:	49% (RH)	
	+/-4KV:	Device functions are affected, but EUT will be back to its normal or operational state automatically.	

2.2. System Power Requirements

Table 2: Power Requirement

APRO MLC mSATA Mini (half size) SATA III Module HERMES-J Series		
DC Input Voltage (VCC)		3.3V±5%
(Maximum average value)	Reading Mode :	197.0 (max.)
	Writing Mode :	241.0 (max.)
	Idle Mode :	155.0 (max.)

2.3. System Performance

Table 3: System Performances

Data Transfer Mode supporting		Serial ATA Gen-III (6.0Gb/s = 768MB/s)					
Maximum Performance	Capacity	4GB	8GB	16GB	32GB	64GB	128GB
	Sequential Read (MB/s)	105.0	105.0	103.8	103.8	230.9	230.6
	Sequential Write (MB/s)	24.6	24.4	21.8	42.0	79.4	79.6

Note: The performance was measured using CrystalDiskMark by file size 1000MB (QD32).

2.4. System Reliability

Table 4: System Reliability

Wear-leveling Algorithms	Static wear-leveling algorithms	
Bad Block Management	Supportive	
ECC Technology	40 bits per 1024 bytes	
Erase counts	NAND MLC Flash Cell Level : 3K P/E Cycles	
TBW (Tera Bytes Written)		
Capacity	4GB	1.2
	8GB	2.4
	16GB	4.8
	32GB	9.6
	64GB	19.2
	128GB	38.4

Note:

- Client workload by JESD-219A
- The endurance of Module could be varying based on user behavior, NAND endurance cycles, and write amplification factor. It is not guaranteed by flash vendor.

2.5. Physical Specifications

Refer to Table 5 and see Figure 2 for APRO MLC mSATA Mini (half size) SATA III Module HERMES-J Series physical specifications and dimensions.

Table 5: Physical Specifications of APRO MLC mSATA Mini (half size) SATA III Module HERMES-J Series

Length:	26.80 mm
Width:	29.80 mm
Weight:	3.5 g / 0.12 oz.

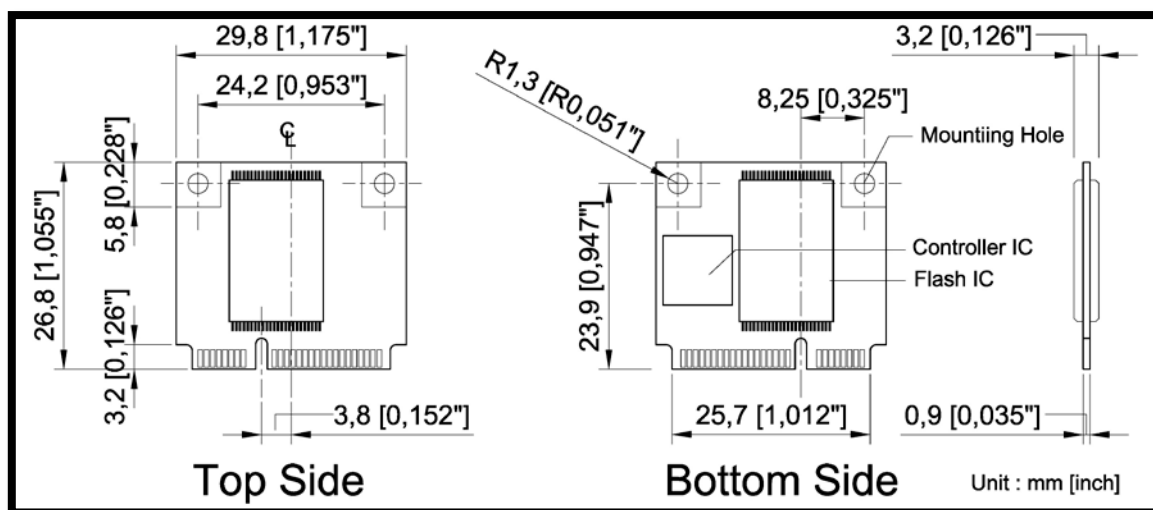


Figure 2: APRO MLC mSATA Mini (half size) SATA III Module HERMES-J Series Dimension

2.6. Conformal coating

Conformal coating is a protective, dielectric coating designed to conform to the surface of an assembled printed circuit board. Commonly used conformal coatings include silicone, acrylic, urethane and epoxy. APRO applies only silicone on APRO storage products upon requested especially by customers. The type of silicone coating features good thermal shock resistance due to flexibility. It is also easy to apply and repair.

Conformal coating offers protection of circuitry from moisture, fungus, dust and corrosion caused by extreme environments. It also prevents damage from those Flash storages handling during construction, installation and use, and reduces mechanical stress on components and protects from thermal shock. The greatest advantage of conformal coating is to allow greater component density due to increased dielectric strength between conductors.

APRO use MIL-I-46058C silicon conformal coating

3. Interface Description

3.1. mSATA Mini SATA III Flash Module interface

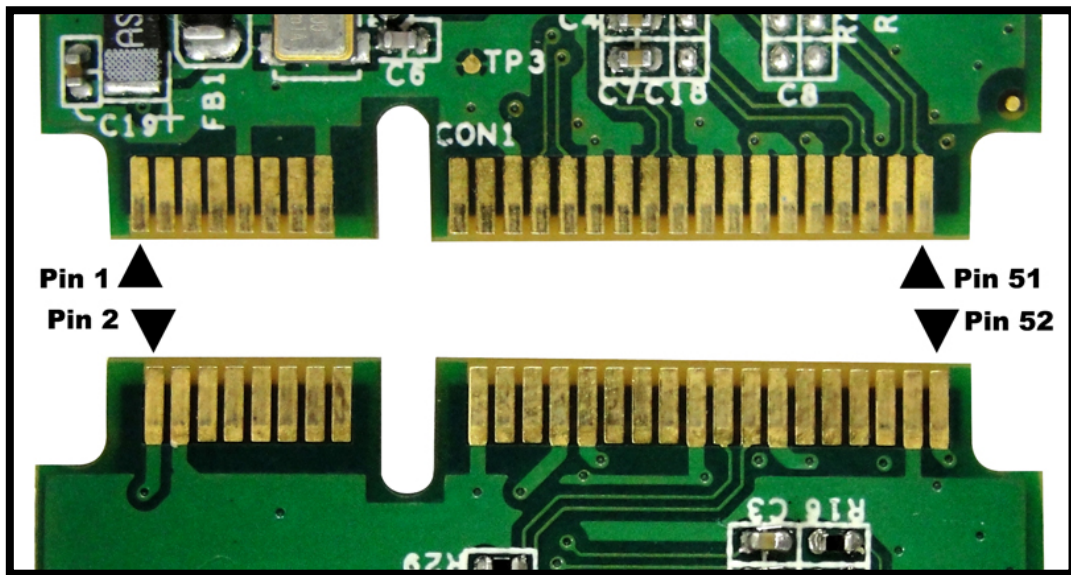
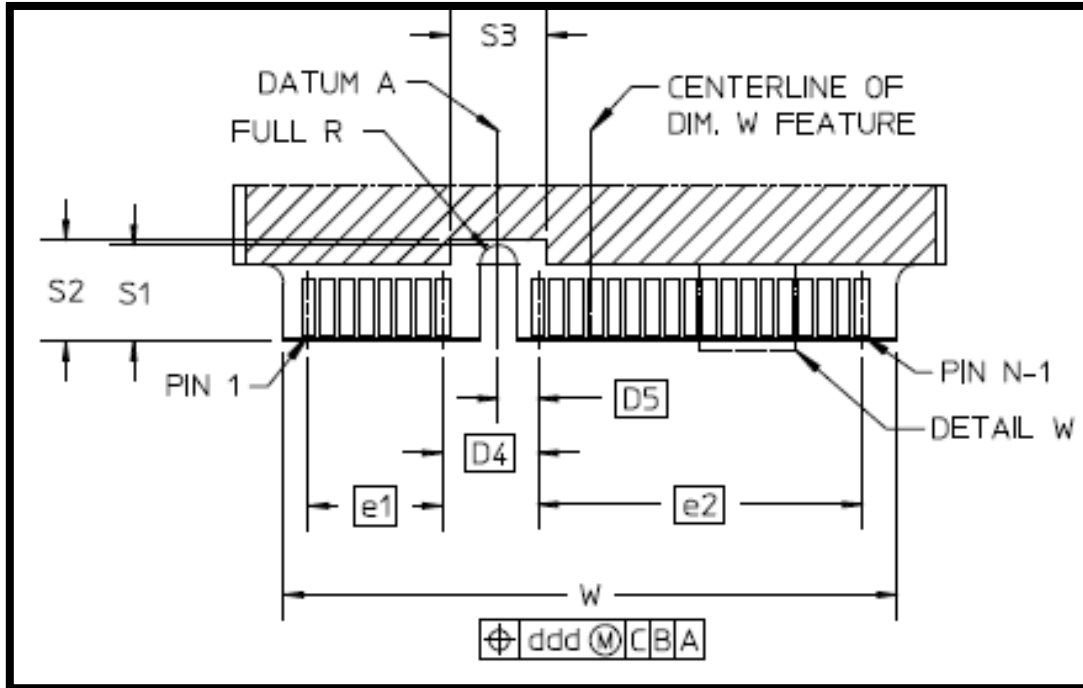


Figure 3: The connectors of Signal Segment and Power Segment

3.2. Pin Assignments

APRO MLC mSATA Mini (half size) SATA III Module HERMES-J Series operates with standard SATA pin-out.

The pin assignments are listed in below table 6.

Signal Name	Pin #	Pin #	Signal Name
NC	1	2	+3.3V
NC	3	4	GND
NC	5	6	NC
NC	7	8	NC
GND	9	10	NC
NC	11	12	NC
NC	13	14	NC
GND	15	16	NC
NC	17	18	GND
NC	19	20	NC
GND	21	22	NC
TX+	23	24	+3.3V
TX-	25	26	GND
GND	27	28	NC
GND	29	30	NC
RX-	31	32	NC
RX+	33	34	GND
GND	35	36	NC
GND	37	38	NC
+3.3V	39	40	GND
+3.3V	41	42	NC
NC	43	44	DEVSLP
NC	45	46	NC
NC	47	48	NC
DAS	49	50	GND
GND	51	52	+3.3V

Table 6 - Pin Assignments

Appendix A: Limited Warranty

APRO warrants your MLC mSATA Mini (half size) SATA III Module HERMES-J Series against defects in material and workmanship for the life of the drive. The warranty is void in the case of misuse, accident, alteration, improper installation, misapplication or the result of unauthorized service or repair. The implied warranties of merchantability and fitness for a particular purpose, and all other warranties, expressed or implied, except as set forth in this warranty, shall not apply to the products delivered. In no event shall APRO be liable for any lost profits, lost savings or other incidental or consequential damages arising out of the use of, or inability to use, this product.

BEFORE RETURNING PRODUCT, A RETURN MATERIAL AUTHORIZATION (RMA) MUST BE OBTAINED FROM APRO.

Product shall be returned to APRO with shipping prepaid. If the product fails to conform based on customers' purchasing orders, APRO will reimburse customers for the transportation charges incurred.

WARRANTY PERIOD:

- **MLC (Standard grade / Wide temp. grade) 2 years / Within 3K Erasing Counts**

This document is for information use only and is **subject to change without prior notice**. APRO Co., Ltd. assumes no responsibility for any errors that may appear in this document, nor for incidental or consequential damages resulting from the furnishing, performance or use of this material. No part of this document may be reproduced, transmitted, transcribed, stored in a retrievable manner or translated into any language or computer language, in any form or by any means, electronic, mechanical, magnetic, optical, chemical, manual or otherwise, without the prior written consent of an officer of APRO Co., Ltd.

All parts of the APRO documentation are protected by copyright law and all rights are reserved.

APRO and the APRO logo are registered trademarks of APRO Co., Ltd.

Product names mentioned herein are for identification purposes only and may be trademarks and/or registered trademarks of their respective companies.

© 2017 APRO Corporation. All rights reserved