

# SLC

## Industrial CompactFlash<sup>®</sup> Card

### HERMIT-A Series

**Document No.** : 100-xxCFC-HATL

**Version No.** : 02V1

**Date** : June, 2019



ISO 9001 : 2015 CERTIFIED



### Product Features

#### ■ Flash IC

- TOSHIBA NAND Flash IC.
- Single-Level Cell (SLC) management technology.

#### ■ Compatibility

- CF 3.0 standard compatible.
- PC-Card (PC-Card ATA) standard compatible.
- PCMCIA specification version 2.1 compatible.
- ATA-6 standard compatible in True-IDE mode.

#### ■ Additional Capabilities

- Fast ATA host-to-buffer transfer rates supporting PIO mode 6, MDMA mode 2, UDMA mode 4 in True-IDE mode
- S.M.A.R.T.\*<sup>1</sup> (Self-Monitoring, Analysis and Reporting Technology) feature set support.
- Static wear leveling algorithm
- Support bad Block Management

#### ■ Mechanical

- Standard 50-pin connector consisting of two rows of 25 female contacts.
- Dimension: 42.8 mm x 36.4 mm x 3.3 mm.
- Weight:  
Plastic frame-kit: 12g / 0.42 oz.  
Metal frame-kit: 14g / 0.49 oz.

#### ■ Power: Operating Voltage @ 5V(+/-) 10%

- Read Mode: 168.9 mA (max.)
- Write Mode: 151.5 mA (max.)
- Idle Mode: 2.4 mA (max.)

#### ■ Performance (Maximum value) \*<sup>2</sup>

- Sequential Read: 36.2 MB/sec. (max.)
- Sequential Write: 25.9 MB/sec. (max.)

#### ■ Capacity

- 16MB, 32MB, 64MB, 128MB, 256MB, 512MB, 1GB, 2GB, 4GB and 8GB

#### ■ Reliability

- **TBW:** Up to 421.8 TBW at 8GB Capacity.  
(Test by sequential write)
- **ECC:** 4-Bit per 512 bytes in an ECC block.
- **MTBF:** > 3,000,000 hours
- **Temperature:** (Operating)  
Standard Grade: 0°C ~ +70°C  
Industrial Grade: -40°C ~ +85°C
- **Vibration:** 70 Hz to 2K Hz, 20G, 3 axes.
- **Shock:** 0.5ms, 1500 G, 3 axes

#### ■ Certifications and Declarations

- **Certifications:** CE & FCC
- **Declarations:** RoHS & REACH


#### Remarks:

1. Support official S.M.A.R.T. Utility.
2. Sequential performance is based on CrystalDiskMark 5.1.2 with file size 100MB


### Order Information

#### I. Part Number List

##### ◆ APRO SLC Industrial CompactFlash® Card HERMIT-A Series with plastic frame kit

Product Picture	Grade	Standard grade (0°C ~ 70°C)	Industrial Grade ( -40°C ~ +85°C )
	16MB	SPCFC016M-HACTC-UF	WPCFC016M-HAITI-UF
	32MB	SPCFC032M-HACTC-UF	WPCFC032M-HAITI-UF
	64MB	SPCFC064M-HACTC-UF	WPCFC064M-HAITI-UF
	128MB	SPCFC128M-HACTC-UF	WPCFC128M-HAITI-UF
	256MB	SPCFC256M-HACTC-UF	WPCFC256M-HAITI-UF
	512MB	SPCFC512M-HACTC-UF	WPCFC512M-HAITI-UF
	1GB	SPCFC001G-HACTC-UF	WPCFC001G-HAITI-UF
	2GB	SPCFC002G-HACTC-UF	WPCFC002G-HAITI-UF
	4GB	SPCFC004G-HACTC-UF	WPCFC004G-HAITI-UF
	8GB	SPCFC008G-HACTC-UF	WPCFC008G-HAITI-UF

##### ◆ APRO SLC Industrial CompactFlash® Card HERMIT-A Series with rugged metal frame kit

Product Picture	Grade	Standard grade (0°C ~ 70°C)	Industrial Grade ( -40°C ~ +85°C )
	16MB	SRCFC016M-HACTC-UF	WRCFC016M-HAITI-UF
	32MB	SRCFC032M-HACTC-UF	WRCFC032M-HAITI-UF
	64MB	SRCFC064M-HACTC-UF	WRCFC064M-HAITI-UF
	128MB	SRCFC128M-HACTC-UF	WRCFC128M-HAITI-UF
	256MB	SRCFC256M-HACTC-UF	WRCFC256M-HAITI-UF
	512MB	SRCFC512M-HACTC-UF	WRCFC512M-HAITI-UF
	1GB	SRCFC001G-HACTC-UF	WRCFC001G-HAITI-UF
	2GB	SRCFC002G-HACTC-UF	WRCFC002G-HAITI-UF
	4GB	SRCFC004G-HACTC-UF	WRCFC004G-HAITI-UF
	8GB	SRCFC008G-HACTC-UF	WRCFC008G-HAITI-UF

#### Notes:

C : Special conformal coating treated on whole PCBA which may support industrial grade operating temperature -40°C ~ +85°C

### II. Part Number Decoder:

**X1 X2 X3 X4 X5 X6 X7 X8 X9**—**X11 X12 X13 X14 X15**—**X17 X18 X19**

**X1** : Grade

**S**: Standard Grade – operating temp. 0° C ~ 70 ° C

**W**: Industrial Grade- operating temp. -40° C ~ +85 ° C

**X2** : The material of case

**P** : Plastic frame kit

**R** : Rugged Metal frame kit

**X3 X4 X5** : Product category

**CFC** : CompactFlash® Card

**X6 X7 X8 X9** : Capacity

<b>16M:</b>	16MB	<b>512M:</b>	512MB
<b>32M:</b>	32MB	<b>001G:</b>	1GB
<b>64M:</b>	64MB	<b>002G:</b>	2GB
<b>128M:</b>	128MB	<b>004G:</b>	4GB
<b>256M:</b>	256MB	<b>008G:</b>	8GB

**X11** : Controller

**H** : HERMIT Series

**X12** : Controller version

**A, B, C.....**

**X13** : Controller Grade

**C** : Commercial grade

**I** : Industrial grade

**X14** : Flash IC

**T** : Toshiba SLC NAND Flash IC

**X15** : Flash IC grade / Type

**C** : Commercial grade

**I** : Industrial grade

**X17 X18** : Data Transfer Rate

**PF** : PIO-6 mode / fixed disk type

**PR** : PIO-6 mode / removable disk type

**UF** : Defaulted as UDMA-4 mode / fixed disk type

**UR** : UDMA-4 mode / removable disk type

**AA** : PIO/UDMA & fixed/removable disk type auto-detected

**X19** : Reserved for specific requirement

**C** : Conformal coating (optional)

### Revision History

Revision	Description	Date
1.0	Initial release	2013/10/1
1.1	Add DWPD & TBW Value.	2016/07/18
1.2	Updated Version	2018/11/28
2.0	Updated power consumption & performance	2019/05/02
2.1	Updated document form	2019/06/10

### Contents

Product Features .....	- 2 -
Order Information .....	- 3 -
<b>I. Part Number List</b> .....	- 3 -
<b>II. Part Number Decoder:</b> .....	- 4 -
Revision History .....	- 5 -
Contents .....	- 6 -
<b>1. Introduction</b> .....	- 7 -
<b>1.1. Scope</b> .....	- 8 -
<b>1.2. Flash Management Technology – Static Wear leveling</b> .....	- 8 -
<b>1.3. Protected against data corruption and failing devices</b> .....	- 8 -
<b>1.4. Bad Block Management</b> .....	- 9 -
<b>1.5. Mean Time Between Failure (MTBF)</b> .....	- 9 -
<b>1.5.1. Definition</b> .....	- 9 -
<b>1.5.2. Obtaining MTBF</b> .....	- 9 -
<b>1.5.3. Definitions</b> .....	- 10 -
<b>2. Product Specifications</b> .....	- 12 -
<b>2.1. System Environmental Specifications</b> .....	- 12 -
<b>2.2. System Power Requirements</b> .....	- 12 -
<b>2.3. System Performance</b> .....	- 13 -
<b>2.4. System Reliability</b> .....	- 13 -
<b>2.5. Physical Specifications</b> .....	- 14 -
<b>2.6. Conformal coating</b> .....	- 15 -
<b>2.7. Device Parameter</b> .....	- 15 -
<b>3. Interface Description</b> .....	- 16 -
<b>3.1. CF Card interface (CompactFlash® Type I)</b> .....	- 16 -
<b>3.2. Pin Assignments</b> .....	- 16 -
<b>Appendix A: Limited Warranty</b> .....	- 18 -

### 1. Introduction

APRO SLC Industrial CompactFlash® Card HERMIT-A Series provides high speed performance that electrically complies with ATA-6 standard and CF 3.0 standard compatible. The main used flash memories are SLC-NAND type flash memory chips. The available disk capacities are 16MB, 32MB, 64MB, 128MB, 256MB, 512MB, 1GB, 2GB, 4GB and 8GB.

APRO SLC Industrial CompactFlash® Card HERMIT-A Series supports operating temperature for standard grade 0°C ~ 70°C and industrial grade -40°C ~ +85°C. The APRO SLC Industrial CompactFlash® Card HERMIT-A Series also supports S.M.A.R.T. function and designed electrically complies with the conventional IDE hard drive and support True IDE Mode. The data transfer modes supports PIO mode 0, 1, 2, 3, 4, 5, 6 or MWDMA- 0, 1, 2 or UDMA- 0, 1, 2, 3, 4. The fastest reading speed is up to 36.2 MB/sec and writing speed is up to 25.9 MB/sec.

APRO SLC Industrial CompactFlash® Card HERMIT-A Series products provide highly sophisticated Error Correction Code algorithms are implemented. The ECC unit consists of the Parity Unit (parity-byte generation) and the Syndrome Unit (syndrome-byte computation). This unit implements an algorithm that can correct 4 bits per 512 bytes in an ECC block.

In order to sustain various harsh and tough operating environments, APRO especially delivers the CompactFlash® frame kit in rugged metal as well as provides the optional treatment of conformal coating upon customers' request.

Figure 1 shows a block diagram of the APRO SLC Industrial CompactFlash® Card HERMIT-A Series.

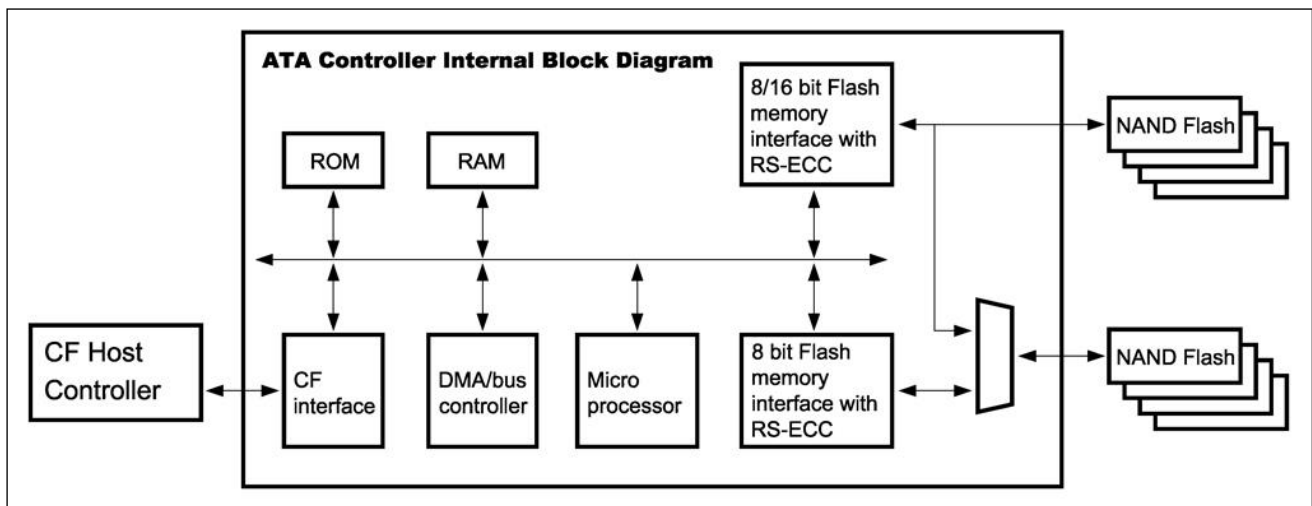


Figure 1: APRO SLC Industrial CompactFlash® Card HERMIT-A Series block diagram

### 1.1. **Scope**

This document describes features, specifications and installation guide of APRO SLC Industrial CompactFlash® Card HERMIT-A Series. The appendix provides order information, warranty policy, RMA/DOA procedure for the most convenient reference.

### 1.2. **Flash Management Technology – Static Wear leveling**

In order to gain the best management for flash memory, APRO Industrial CF card – HERMIT Series supports Static Wear Leveling technology to manage the Flash system. The life of flash memory is limited; the management is to increase the life of the flash product.

A static wear-leveling algorithm evenly distributes data over an entire Flash cell array and searches for the least used physical blocks. The identified low cycled sectors are used to write the data to those locations. If blocks are empty, the write occurs normally. If blocks contain static data, it moves that data to a more heavily used location before it moves the newly written data. The static wear leveling maximizes effective endurance Flash array compared to no wear leveling or dynamic wear leveling.

### 1.3. **Protected against data corruption and failing devices**

#### ➤ **Sudden Power Fail (SPF) Event**

- Reset of controller and immediate write protection of flash
- If the last data written is corrupt, controller recovers latest valid entry
- If a write operation is active at power loss this data might be lost

#### ➤ **Transaction-oriented logging of mapping changes**

- All mapping information is kept in non-volatile storage
- SLC-aware Power Fail Management
- Option: Reliable Write of user data

#### ➤ **Rigorous Testing to ensure functionality**

- Power Cycling Test
- Stress Test
- Regression Test



### 1.4. *Bad Block Management*

#### ➤ **Early Bad Block**

The fault block generated during the manufacturing process of NAND Flash is called Early Bad Block.

#### ➤ **Later Bad Block**

In the process of use, as the number of operations of writing and erasing increases, a fault block is gradually generated, which is called a Later Bad Block.

**Bad block management** is a management mechanism for a bad block to be detected by the control IC and mark bad blocks in the NAND Flash and improve the reliability of data access. The bad block management mechanism of the control IC will establish a **Bad Block Table** when the NAND Flash is started for the first time, and will also record the errors found in the process of use in the bad block table, and data is ported to new valid blocks to avoid data loss.

In order to detect the initial bad blocks to handle run time bad blocks, APRO SLC Industrial CompactFlash® Card HERMIT-A Series provides the **Bad Block Management** scheme. It remaps a bad block to one of the reserved blocks so that the data contained in one bad block is not lost and new data writes on a bad block is avoided.

### 1.5. *Mean Time Between Failure (MTBF)*

#### 1.5.1. *Definition*

MTBF (Mean time between failures) is defined as failure or maintenance required for the average time including failure detection and maintenance for the device. For a simple and maintainable unit,  $MTBF = MTTF + MTTR$ .

**MTTF (mean time to failure)** is defined as the expectation of random variables for time to failure.

**MTTR (mean time to restoration)** is the expectation of random variables of time required for restoration which includes the time required for confirmation that a failure occurred, as well as the time required for maintenance.

#### 1.5.2. *Obtaining MTBF*

There are two methods for obtaining MTBF:

**A. MTBF software estimation method:** by calculating all the MTBF data of all the components included in the bill of material, and the data of the completed products including actual parameters of voltage and electrical current using analysis software, the MTBF of the completed product is estimated.

**B. MTBF sample test method:** by determining a certain number of samples and a fixed time for testing, using a Arrhenius Model and Coffin-Manson Model to obtain parameters, and then using the formula with the parameters, the longevity and in so the reliability is proved.

Arrhenius Model:  $Af = e\{ (1/k \times Ea ( 1/273+Tmax - 1/273+Ttest) )\}$

Coffin-Manson Model:  $Af = ( \Delta Ttest/\Delta Tuse )^m$

#### ➤ **APRO uses the A method to Estimate MTBF**

MTBF is actually obtained by calculation which is just an estimation of future occurrences. The main reason to use the first method is that the data contains the analysis by all the parameters of components and actual parameters of voltage and electrical current of finished products, which is considered adequate and objective.

### ➤ Interpretation of MTBF Analysis

APRO estimates MTBF using a prediction methodology based on reliability data for the individual components in APRO products. The predicted MTBF based on Parts stress analysis Method of Telcordia Special Report SR-332, for components failure rates. Component data comes from several sources: device life tests, failure analysis of earlier equipment, device physics, and field returns.

The Telcordia model is based on the Telcordia document, Reliability Prediction Procedure for Electronic Equipment, Technical Reference SR-332. This standard basically modified the component models in MIL-HDBK-217 to better reflect the failure rates that AT&T Bell Lab equipment was experiencing in the field and was originally developed by AT&T Bell Lab as the Bellcore model.

This model supports different failure rate calculation methods in order to support the taking into account of stress, burn-in, laboratory, or field data. A Parts Count or Parts Stress analysis is included in Telcordia performance. Relx supports Telcordia Issues 1 and 2 and also Bellcore Issues 4, 5, and 6. Telcordia Issue 2, released in September 2006, are supported by Relx and Telcordia Issue 1, released in May 2001, is replaced with Relx. Refer to Telcordia Issue 2 Fields for information about the fields in Relx Reliability Studio specific to Telcordia Issue 2.

### ➤ Purpose of the analyses

The purpose of these analyses is to obtain early estimation of device reliability during engineering and customer validation stages. The prediction results will expose the reliability of whole assembly, viewed as a set of serially connected electronic components. Rating of the assembly electronic components will show the ratio between actual critical elements parameters and their specification limits. The purpose of component rating is to improve a product's inherent design reliability, increase its number of operating times, and to reduce warranty costs and to achieve a more robust design.

### 1.5.3. Definitions

Term	Definition
Failure	The event, or inoperable state, in which any item or part of an item does not, or would not, perform as previously specified.
Failure rate	The total number of failures within an item population, divided by the total number of life units expended by that population, during a particular measurement interval under stated condition.
FIT	Failures In Time: the number of failures in 1 billion hours.
PPM	Part per million: the number of failures in 1 million hours.
Mean Time Between Failures (MTBF)	A basic measure of reliability for repairable items: The mean number of life units during which all parts of the item perform within their specified limits, during a particular measurement interval under stated conditions..
GB	Ground, Fixed, Controlled: Nearly zero environmental stress with optimum engineering operation and maintenance. Typical applications are central office, environmentally controlled vaults, environmentally controlled remote shelters, and environmentally controlled customer premise area.
GF	Ground, Fixed, Uncontrolled: Some environmental stress with limited maintenance. Typical applications are manholes, poles, remote terminals, and customer premise areas subject to shock, vibration, temperature, or atmospheric variations.

➤ **Software & Database**

Analysis Software & Analysis Method

Software Name : Relex Reliability Studio 2008

Software Version : Relex Studio 2008

**Analysis Method**

The prediction method used was Telcordia SR-332, Issue 2,

Parts Count

Failure rate ( $\lambda$ ) = 10<sup>9</sup> hours (FITs)

MTBF = 1/ $\lambda$

$$\lambda_{SSi} = \lambda_{Gi} \cdot TT_{Qi} \cdot TT_{Si} \cdot TT_{Ti}$$

Where  $\lambda_{Gi}$  : Generic steady-state failure rate for device i

$TT_{Qi}$  : Quality factor for device i

$TT_{Si}$  : Stress factor for device i

$TT_{Ti}$  : Temperature factor for device i

➤ **Calculation Parameter**

Operation Temperature : 25°C

Environment : Ground Benign, Controlled

Operation Stress : 50% (Voltage, Current, Power)

Method : Method I, Case 3

Products are advertised with MTBF up to 1 million hours in the market. Take one million hours as an example, the product's estimated life is 114 years. However, the current rapid progress of technology, advancement of flash storage device's manufacturing process research and development, and the supply period of former flash IC manufacturing processes are crucial to the actual life expectancy of flash products. In short, the MTBF of flash storage is for reference only. Good customer service and technical support provided by manufacturers is the most significant issue regarding to the life-span of products.

**Remark:**

All the details of testing and data are for reference only and do not imply any products performance as a result. MTBF is only an estimated date and is depends on both hardware and software. User shall not assume that all the products have the same MTBF as APRO estimates.

### 2. Product Specifications

For all the following specifications, values are defined at ambient temperature and nominal supply voltage unless otherwise stated.

#### 2.1. System Environmental Specifications

Table 1: Environmental Specification

APRO SLC Industrial CompactFlash® Card HERMIT-A Series		Standard Grade SPCFCxxxG-HACTC-UF	Industrial Grade WPCFCxxxG-HAITI-UF
Temperature	Operating:	0°C ~ +70°C	-40°C ~ +85°C
	Non-operating:	-20°C ~ +80°C	-50°C ~ +95°C
Humidity	Operating & Non-operating:	10% ~ 95% non-condensing	
Vibration	Operating & Non-operating:	70 Hz to 2K Hz, 20G, 3 axes (IEC 68-2-6)	
Shock	Operating & Non-operating:	0.5ms, 1500 G, 3 axes (IEC 68-2-27)	

#### 2.2. System Power Requirements

Table 2: Power Requirement

APRO SLC Industrial CompactFlash® Card HERMIT-A Series	
DC Input Voltage (VCC) +5V ± 10% or +3.3V ± 10%	Operating @ +5V ± 10%
Reading Mode :	168.9 mA (8GB.)
Writing Mode :	151.5 mA (8GB.)
Idle Mode :	2.4 mA (8GB.)

### 2.3. System Performance

**Table 3: System Performances**

<b>Data Transfer Mode</b>	PIO 0~6, MWDMA 0~2, UDMA 0~4 supported									
<b>Random Write Access Time</b>	0.4 ms (64GB)									
<b>Capacity</b>	<b>16MB</b>	<b>32MB</b>	<b>64MB</b>	<b>128MB</b>	<b>256MB</b>	<b>512MB</b>	<b>1GB</b>	<b>2GB</b>	<b>4GB</b>	<b>8GB</b>
<b>Sequential Read (MB/s)</b>	17.1	17.1	17.4	17.6	17.8	19.8	37.4	36.1	36.4	36.2
<b>Sequential Write(MB/s)</b>	5.9	5.9	6.0	11.2	11.2	13.7	27.1	26.2	26.5	25.9

Note: The performance was measured using CrystalDiskMark by file size 500MB (QD32).

### 2.4. System Reliability

**Table 4: System Reliability**

<b>Wear-leveling Algorithms</b>	Static wear-leveling algorithms	
<b>Bad Blocks Management</b>	Supported	
<b>ECC Technology</b>	4-Bit per 512 bytes in an ECC block	
<b>Erase counts</b>	NAND SLC Flash Cell Level : 60K P/E Cycles	
<b>Capacity</b>	<b>TBW(TB)</b>	
<b>16MB</b>	0.8	
<b>32MB</b>	1.7	
<b>64MB</b>	3.3	
<b>128MB</b>	6.58	
<b>256MB</b>	13.18	
<b>512MB</b>	26.36	
<b>1GB</b>	52.73	
<b>2GB</b>	105.46	
<b>4GB</b>	210.9	
<b>8GB</b>	421.8	

Note:

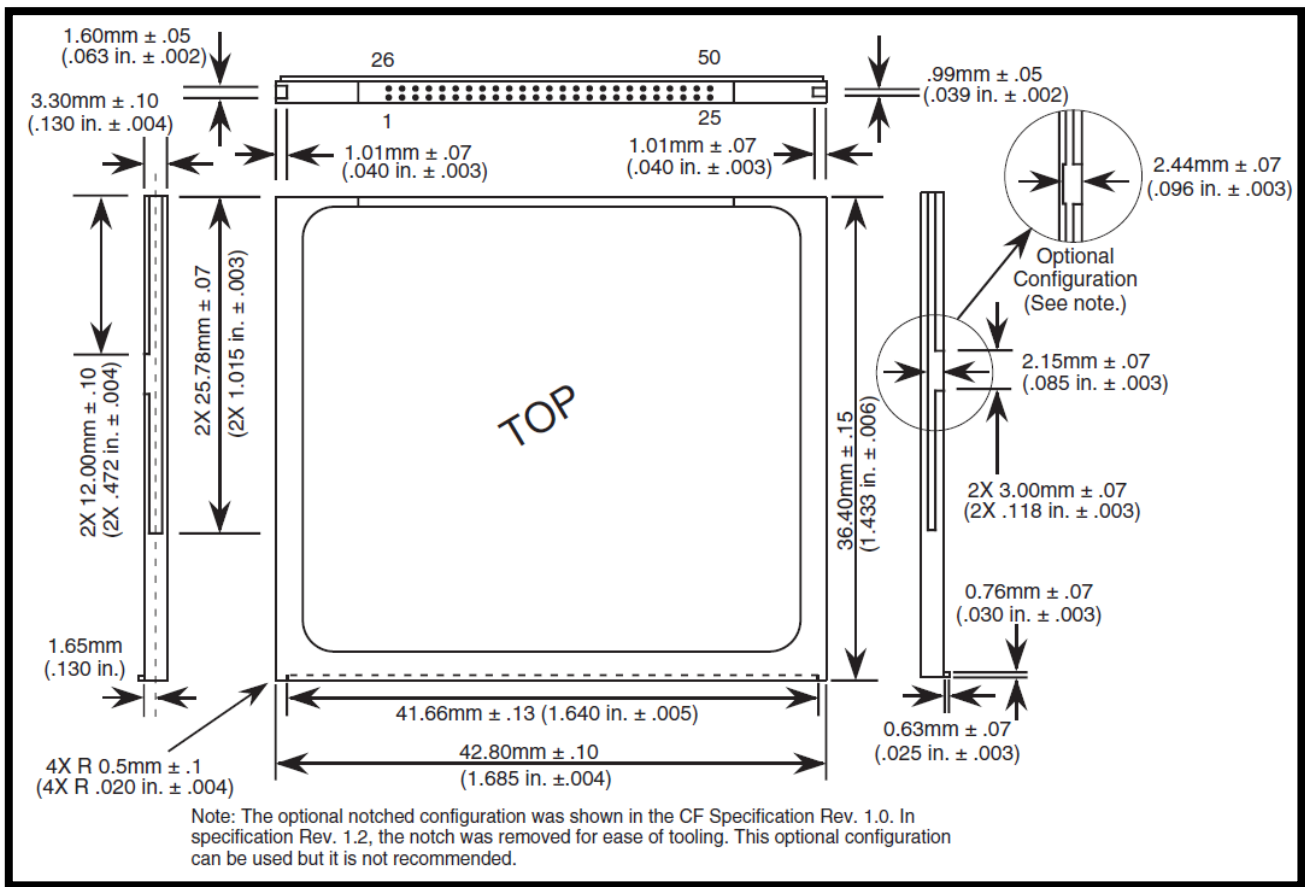
- Samples were built using Toshiba SLC NAND flash.
- Test by sequential write.
- The endurance of SSD could be estimated based on user behavior, NAND endurance cycles, and write amplification factor.  
It is not guaranteed by flash vendor.

### 2.5. Physical Specifications

Refer to Table 5 and see Figure 3 for APRO SLC Industrial CompactFlash® Card HERMIT-A Series physical specifications and dimensions.

**Table 5: Physical Specifications of APRO SLC Industrial CompactFlash® Card-HERMIT-A Series**

<b>Length:</b>	36.40 mm
<b>Width:</b>	42.80 mm
<b>Thickness:</b>	3.3 mm
<b>Weight:</b>	<b>Plastic frame-kit:</b> 12g / 0.42 oz.
	<b>Metal frame-kit:</b> 14g / 0.49 oz.



**Figure 3: APRO SLC Industrial CompactFlash® Card Dimension**

### 2.6. Conformal coating

Conformal coating is a protective, dielectric coating designed to conform to the surface of an assembled printed circuit board. Commonly used conformal coatings include silicone, acrylic, urethane and epoxy. APRO applies only silicone on APRO storage products upon requested especially by customers. The type of silicone coating features good thermal shock resistance due to flexibility. It is also easy to apply and repair.

Conformal coating offers protection of circuitry from moisture, fungus, dust and corrosion caused by extreme environments. It also prevents damage from those Flash storages handling during construction, installation and use, and reduces mechanical stress on components and protects from thermal shock. The greatest advantage of conformal coating is to allow greater component density due to increased dielectric strength between conductors.

APRO use MIL-I-46058C silicon conformal coating

### 2.7. Device Parameter

The table 6 shows the specific capacity for the various models and the default number of heads, sectors/track and cylinders.

**Table 6: Device Parameter of APRO SLC Industrial CompactFlash® Card HERMIT-A Series**

Unformatted Capacity	Cylinder	Head	Sector	LBA Total Sectors
16MB	248	4	32	31,744
32MB	500	8	16	64,000
64MB	500	8	32	112,000
128MB	480	16	32	245,760
256MB	984	16	32	503,808
512MB	1,001	16	63	1,009,008
1GB	2,002	16	63	2,018,016
2GB	4,003	16	63	4,035,024
4GB	8,006	16	63	8,070,048
8GB	16,000	16	63	16,128,000

### 3. Interface Description

#### 3.1. CF Card interface (CompactFlash® Type I)

APRO SLC Industrial CompactFlash® Card HERMIT-A Series equipped Standard 50-pin connector consisting of two rows of 25 female contacts.

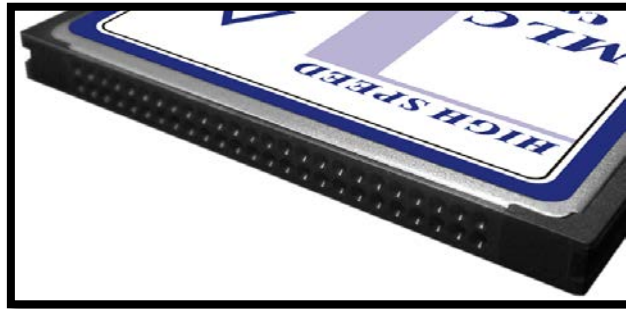


Figure 3: 50-pin CompactFlash® Type I Connector

#### 3.2. Pin Assignments

Signals whose source is the host is designated as inputs while signals that the CompactFlash® (CF) Card sources are outputs. The pin assignments are listed in below table 7. The signal/pin assignments are listed in below Table 7. Low active signals have a “-” prefix. Pin types are Input, Output or Input/Output.

Table 7 - Pin Assignments of APRO SLC Industrial CompactFlash® Card-HERMIT-A Series

PC Card Memory Mode				PC Card I/O Mode				True IDE Mode <sup>4</sup>			
Pin No.	Signal Name	Pin Type	In, Out Type	Pin No.	Signal Name	Pin Type	In, Out Type	Pin No.	Signal Name	Pin Type	In, Out Type
1	GND		Ground	1	GND		Ground	1	GND		Ground
2	D03	I/O	11Z,OZ3	2	D03	I/O	11Z,OZ3	2	D03	I/O	11Z,OZ3
3	D04	I/O	11Z,OZ3	3	D04	I/O	11Z,OZ3	3	D04	I/O	11Z,OZ3
4	D05	I/O	11Z,OZ3	4	D05	I/O	11Z,OZ3	4	D05	I/O	11Z,OZ3
5	D06	I/O	11Z,OZ3	5	D06	I/O	11Z,OZ3	5	D06	I/O	11Z,OZ3
6	D07	I/O	11Z,OZ3	6	D07	I/O	11Z,OZ3	6	D07	I/O	11Z,OZ3
7	-CE1	I	13U	7	-CE1	I	13U	7	-CS0	I	13Z
8	A10	I	11Z	8	A10	I	11Z	8	A10 <sup>2</sup>	I	11Z
9	-OE	I	13U	9	-OE	I	13U	9	-ATA SEL	I	13U
10	A09	I	11Z	10	A09	I	11Z	10	A09 <sup>2</sup>	I	11Z
11	A08	I	11Z	11	A08	I	11Z	11	A08 <sup>2</sup>	I	11Z
12	A07	I	11Z	12	A07	I	11Z	12	A07 <sup>2</sup>	I	11Z
13	VCC		Power	13	VCC		Power	13	VCC		Power
14	A06	I	11Z	14	A06	I	11Z	14	A06 <sup>2</sup>	I	11Z
15	A05	I	11Z	15	A05	I	11Z	15	A05 <sup>2</sup>	I	11Z
16	A04	I	11Z	16	A04	I	11Z	16	A04 <sup>2</sup>	I	11Z
17	A03	I	11Z	17	A03	I	11Z	17	A03 <sup>2</sup>	I	11Z
18	A02	I	11Z	18	A02	I	11Z	18	A02	I	11Z



PC Card Memory Mode				PC Card I/O Mode				True IDE Mode <sup>4</sup>			
Pin No.	Signal Name	Pin Type	In, Out Type	Pin No.	Signal Name	Pin Type	In, Out Type	Pin No.	Signal Name	Pin Type	In, Out Type
19	A01	I	11Z	19	A01	I	11Z	19	A01	I	11Z
20	A00	I	11Z	20	A00	I	11Z	20	A00	I	11Z
21	D00	I/O	11Z,OZ3	21	D00	I/O	11Z,OZ3	21	D00	I/O	11Z,OZ3
22	D01	I/O	11Z,OZ3	22	D01	I/O	11Z,OZ3	22	D01	I/O	11Z,OZ3
23	D02	I/O	11Z,OZ3	23	D02	I/O	11Z,OZ3	23	D02	I/O	11Z,OZ3
24	WP	O	OT3	24	-IOIS16	O	OT3	24	-IOCS16	O	ON3
25	-CD2	O	Ground	25	-CD2	O	Ground	25	-CD2	O	Ground
26	-CD1	O	Ground	26	-CD1	O	Ground	26	-CD1	O	Ground
27	D11 <sup>1</sup>	I/O	11Z,OZ3	27	D11 <sup>1</sup>	I/O	11Z,OZ3	27	D11 <sup>1</sup>	I/O	11Z,OZ3
28	D12 <sup>1</sup>	I/O	11Z,OZ3	28	D12 <sup>1</sup>	I/O	11Z,OZ3	28	D12 <sup>1</sup>	I/O	11Z,OZ3
29	D13 <sup>1</sup>	I/O	11Z,OZ3	29	D13 <sup>1</sup>	I/O	11Z,OZ3	29	D13 <sup>1</sup>	I/O	11Z,OZ3
30	D14 <sup>1</sup>	I/O	11Z,OZ3	30	D14 <sup>1</sup>	I/O	11Z,OZ3	30	D14 <sup>1</sup>	I/O	11Z,OZ3
31	D15 <sup>1</sup>	I/O	11Z,OZ3	31	D15 <sup>1</sup>	I/O	11Z,OZ3	31	D15 <sup>1</sup>	I/O	11Z,OZ3
32	-CE2 <sup>1</sup>	I	13U	32	-CE2 <sup>1</sup>	I	13U	32	-CS1 <sup>1</sup>	I	13Z
33	-VS1	O	Ground	33	-VS1	O	Ground	33	-VS1	O	Ground
34	-IORD	I	13U	34	-IORD	I	13U	34	-IORD <sup>7</sup>	I	13Z
								HSTROBE <sup>8</sup>			
								-HDMARDY <sup>9</sup>			
35	-IOWR	I	13U	35	-IOWR	I	13U	35	-IOWR <sup>7</sup>	I	13Z
								STOP <sup>8,9</sup>			
36	-WE	I	13U	36	-WE	I	13U	36	-WE <sup>3</sup>	I	13U
37	READY	O	OT1	37	-IREQ	O	OT1	37	INTRQ	O	OZ1
38	VCC		Power	38	VCC		Power	38	VCC		Power
39	-CSEL <sup>5</sup>	I	12Z	39	-CSEL <sup>5</sup>	I	12Z	39	-CSEL	I	12U
40	-VS2	O	OPEN	40	-VS2	O	OPEN	40	-VS2	O	OPEN
41	RESET	I	12Z	41	RESET	I	12Z	41	-RESET	I	12Z
42	-WAIT	O	OT1	42	-WAIT	O	OT1	42	IORDY <sup>7</sup>	O	ON1
								-DDMARDY <sup>8</sup>			
								DSTROBE <sup>9</sup>			
43	-INPACK	O	OT1	43	-INPACK	O	OT1	43	DMARQ	O	OZ1
44	-REG	I	13U	44	-REG	I	13U	44	-DMACK <sup>6</sup>	I	13U
45	BVD2	O	OT1	45	-SPKR	O	OT1	45	-DASP	I/O	11U,ON1
46	BVD1	O	OT1	46	-STSCHG	O	OT1	46	-PDIAG	I/O	11U,ON1
47	D08 <sup>1</sup>	I/O	11Z,OZ3	47	D08 <sup>1</sup>	I/O	11Z,OZ3	47	D08 <sup>1</sup>	I/O	11Z,OZ3
48	D09 <sup>1</sup>	I/O	11Z,OZ3	48	D09 <sup>1</sup>	I/O	11Z,OZ3	48	D09 <sup>1</sup>	I/O	11Z,OZ3
49	D10 <sup>1</sup>	I/O	11Z,OZ3	49	D10 <sup>1</sup>	I/O	11Z,OZ3	49	D10 <sup>1</sup>	I/O	11Z,OZ3
50	GND		Ground	50	GND		Ground	50	GND		Ground

### **Appendix A: Limited Warranty**

APRO warrants your SLC Industrial CompactFlash® Card HERMIT-A Series against defects in material and workmanship for the life of the drive. The warranty is void in the case of misuse, accident, alteration, improper installation, misapplication or the result of unauthorized service or repair. The implied warranties of merchantability and fitness for a particular purpose, and all other warranties, expressed or implied, except as set forth in this warranty, shall not apply to the products delivered. In no event shall APRO be liable for any lost profits, lost savings or other incidental or consequential damages arising out of the use of, or inability to use, this product.

**BEFORE RETURNING PRODUCT, A RETURN MATERIAL AUTHORIZATION (RMA) MUST BE OBTAINED FROM APRO.**

Product shall be returned to APRO with shipping prepaid. If the product fails to conform based on customers' purchasing orders, APRO will reimburse customers for the transportation charges incurred.

#### **WARRANTY PERIOD:**

- **SLC ( Standard grade )    3 years / Within 60K Erasing Counts**
- **SLC ( Industrial grade )    5 years / Within 60K Erasing Counts**

This document is for information use only and is **subject to change without prior notice**. APRO Co., Ltd. assumes no responsibility for any errors that may appear in this document, nor for incidental or consequential damages resulting from the furnishing, performance or use of this material. No part of this document may be reproduced, transmitted, transcribed, stored in a retrievable manner or translated into any language or computer language, in any form or by any means, electronic, mechanical, magnetic, optical, chemical, manual or otherwise, without the prior written consent of an officer of APRO Co., Ltd.

All parts of the APRO documentation are protected by copyright law and all rights are reserved.

APRO and the APRO logo are registered trademarks of APRO Co., Ltd.

Product names mentioned herein are for identification purposes only and may be trademarks and/or registered trademarks of their respective companies.

© 2017 APRO Corporation. All rights reserved