



SATA III

MLC CFast Card

PHANES-C Series

Product Specification

APRO MLC SATA III CFast Card

Version 01V0

Document No. 100-xPCFA-JGTM

April 2015

APRO CO., LTD.

Phone: +88628226-1539

Fax: +88628226-1389

This document is for information use only and is **subject to change without prior notice**. APRO Co., Ltd. assumes no responsibility for any errors that may appear in this document, nor for incidental or consequential damages resulting from the furnishing, performance or use of this material. No part of this document may be reproduced, transmitted, transcribed, stored in a retrievable manner or translated into any language or computer language, in any form or by any means, electronic, mechanical, magnetic, optical, chemical, manual or otherwise, without the prior written consent of an officer of APRO Co., Ltd.

All parts of the APRO documentation are protected by copyright law and all rights are reserved.

APRO and the APRO logo are registered trademarks of APRO Co., Ltd.

Product names mentioned herein are for identification purposes only and may be trademarks and/or registered trademarks of their respective companies.

© 2014 APRO Corporation. All rights reserved.

Revision History

Revision	Description	Date
1.0	Initial Released	2015/04/08

CONTENTS

1. INTRODUCTION.....	- 2 -
1.1. SCOPE.....	- 3 -
1.2. SYSTEM FEATURES.....	- 3 -
1.3. FLASH MANAGEMENT TECHNOLOGY - STATIC WEAR LEVELING.....	- 3 -
2. PRODUCT SPECIFICATIONS.....	- 4 -
2.1. SYSTEM ENVIRONMENTAL SPECIFICATIONS.....	- 4 -
2.2. SYSTEM POWER REQUIREMENTS.....	- 4 -
2.3. SYSTEM PERFORMANCE.....	- 4 -
2.4. SYSTEM RELIABILITY.....	- 5 -
2.5. PHYSICAL SPECIFICATIONS.....	- 5 -
2.5.1. CONFORMAL COATING.....	- 7 -
3. INTERFACE DESCRIPTION.....	- 7 -
3.1. APRO CFAST CARD INTERFACE.....	- 7 -
3.2. PIN ASSIGNMENTS.....	- 8 -
APPENDIX A: ORDERING INFORMATION.....	- 9 -
1. PART NUMBER LIST.....	- 9 -
2. PART NUMBER DECODER:.....	- 9 -
APPENDIX B: LIMITED WARRANTY.....	10

1. Introduction

APRO MLC CFast Card compliant to the CFast™ Specification 2.0 issued by CompactFlash Association (CFA), it breakthroughs the speed performance under traditional ATA/ATAPI specification. Integrating the CompactFlash card form factor and Serial ATA (SATA I/ II/ III) interface, the transfer speed is much higher than traditional CF Card while it keeps small form factor and rigid case as CF Card. The PHANES-C Series CFast Card also supports Metal Frame Kit as an optional product which may endure various harsh operating environments. The main used Flash memory is MLC-NAND Type Flash memory chips from 4GB up to 128GB. APRO's PHANES-C Series MLC CFast Card features with great portability and resistance against vibration. The sequential read speed is 511.9 MB/sec and sequential write speed is 146.8 MB/sec for Multiple Level Cell (MLC) solution. Furthermore, APRO also provide 1.8" SATA to CFast card Adapter (P/N: AD-CA128SATA200AR) to increase the application flexibility.

APRO's MLC CFast Card supports optional standard grade operating temperature 0°C ~ 70°C and wide temperature -40°C ~ +85°C.

APRO's MLC CFast Card is suitable to handheld device embedded system, inventory recorder and particularly for serious environment monitor recorder system. Also, through APRO 1.8" SATA to CFast card Adapter, APRO MLC CFast Card can be high speed booting SSD to varieties of IPC motherboards and PC structure system. Figure 1 shows a block diagram of the used high tech CFast Card controller.

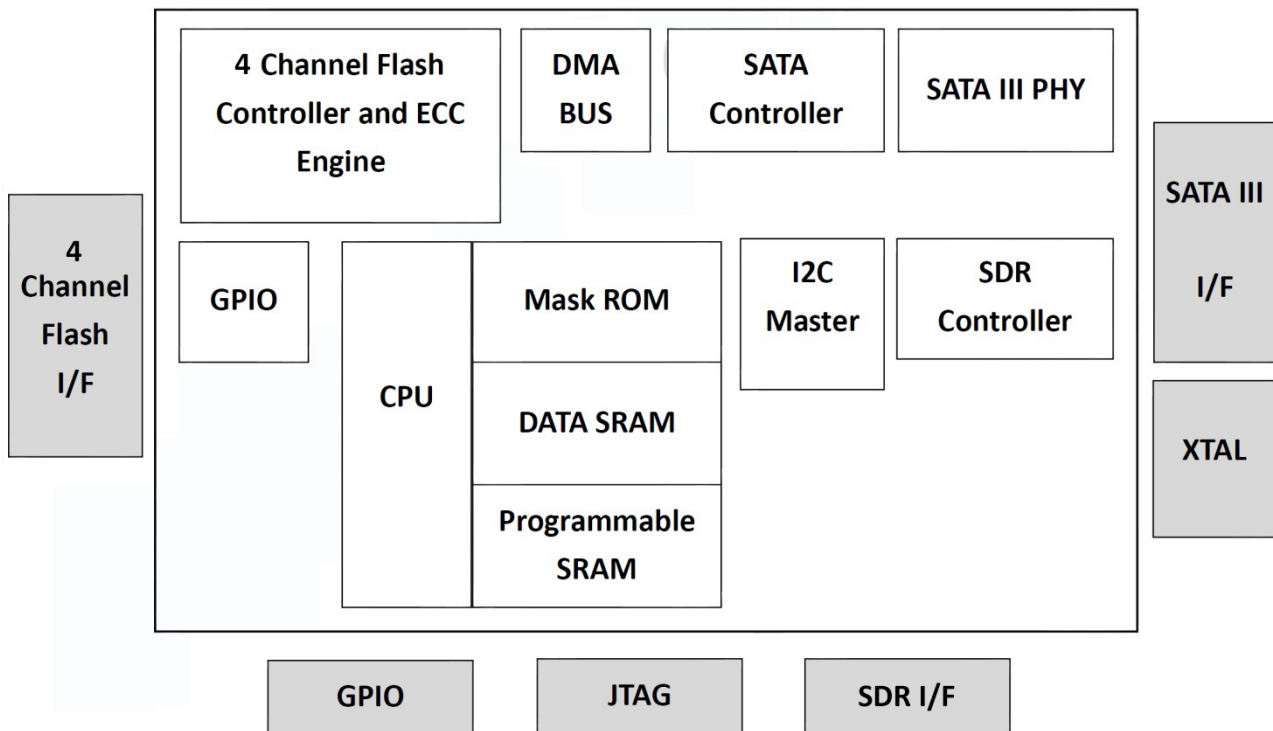


Figure 1: APRO SATA III CFast Card PHANES-C Series controller block diagram

1.1. Scope

This document describes features, specifications and installation guide of APRO's MLC SATA III CFast Card – PHANES-C Series. In the appendix, there provides order information, warranty policy, RMA/DOA procedure for the most convenient reference.

1.2. System Features

- MLC-NAND type flash technology
- Compliant with CFast™ specification V2.0
- CFast Type I form-factor
- 7-pin (data) + 17-pin (power) CFast Card connector
- SATA 1.0a, SATA 2.6 and SATA 3.0 specification compliance
- SMART (Self-Monitoring, Analysis and Reporting Technology) function supported.
- Non-volatile memory and no moving parts
- Capacity from 4GB up to 128GB
- Sequential read performance up to 511.9 MB/sec
- Sequential write performance up to 146.8 MB/sec
- Automatic 72 bits per 1024 bytes error correction (ECC) and retry capabilities
- +3.3V $\pm 5\%$ operation
- Shock : 0.5ms, 1500 G, 3 axes
- Vibration : 20 Hz to 2K Hz, 20G, 3 axes
- Very high performance, very low power consumption
- Low weight, Noiseless
- Standard grade supports operating temperature 0°C to +70°C, and wide temp Grade with conformal coating, -40°C to +85°C

1.3. Flash Management Technology - Static and Dynamic Wear Leveling

NAND flash devices can only undergo a limited number of program/erase cycles, and in most cases, the flash media are not used evenly. If some areas get updated more frequently than others, the lifetime of the device would be reduced significantly. Thus, Wear Leveling is applied to extend the lifespan of NAND Flash by evenly distributing write and erase cycles across the media.

APRO 2.5" SATA III MLC SSD PHANES-C Series provides advanced Wear Leveling algorithm, which can efficiently spread out the flash usage through the whole flash media area. Moreover, by implementing both dynamic and static Wear Leveling algorithms, the life expectancy of the NAND flash is greatly improved.

2. Product Specifications

For all the following specifications, values are defined at ambient temperature and nominal supply voltage unless otherwise stated.

2.1. System Environmental Specifications

Table 1: Environmental Specification

PHANES-C Series MLC SATA III CFast Card		Standard Grade	Wide Temp Grade
		SPCFAXxxG-PCCTMA	WPCFAXxxG-PCCTMA/C
Temperature	Operating:	0°C ~ +70°C	-40°C ~ +85°C
	Non-operating:	-20°C ~ +80°C	-50°C ~ +95°C
Humidity	Operating & Non-operating:	10% ~ 95% non-condensing	
Vibration	Operating & Non-operating:	20 Hz to 2K Hz, 20G, 3 axes	
Shock	Operating & Non-operating:	0.5ms, 1500 G, 3 axes	

2.2. System Power Requirements

Table 2: Power Requirement

APRO MLC SATA III CFast Card		Standard Grade
PHANES-C Series		SPCFAXxxG-PCCTMA
DC Input Voltage (VCC) 100mV max. ripple(p-p)		3.3V±5%
+3.3V Current (Maximum average value)	Reading Mode :	537 mA (max.)
	Writing Mode :	517 mA (max.)
	Idle Mode :	103 mA (max.)

2.3. System Performance

Table 3: System Performances

Data Transfer Mode supporting		Serial ATA Gen-III (6.0Gb/s = 768MB/s)					
Average Access Time		0.1 ms (estimated)					
Maximum Performance	Capacity	4GB	8GB	16GB	32GB	64GB	128GB
	Sequential Read (MB/s)	149.5	296.3	297.6	308.2	325.6	511.9
	Sequential Write(MB/s)	45.53	87.4	127.1	133.1	138.7	146.8

Note:

- (1). All values quoted are typically at 25°C and nominal supply voltage.
- (2). Testing of the MLC SATA III CFast Card maximum performance was performed under the following platform:
 - Computer with Intel i5 3.5GHz processor with Windows 7 Professional operating system

2.4. System Reliability

Table 4: System Reliability

Wear-leveling Algorithms	Static and Dynamic Wear-leveling
Bad Blocks Management	Supportive
ECC Technology	72 bits per 1024 bytes
Endurance	Un-limited Read Cycles Endurance Management enables five years minimal useful life
Data Retention	10 years

2.5. Physical Specifications

Refer to Table 5 and see Figure 2 for APRO MLC Cfast Card – PHANES-C Series physical dimensions.

Table 5: Physical Specifications of MLC Cfast Card-PHANES-C Series

Length:	42.8 + 0.10mm / 1.69 in
Width:	36.4 + 0.15mm / 1.43 in
Thickness:	3.5 (3.6 max) + 0.1mm / 0.13 in (Based on Cfast 1.0 Specification, the max. thickness is 3.6mm.)
Weight:	Plastic: 10g / 0.4oz ; Metal: 13g / 0.46oz

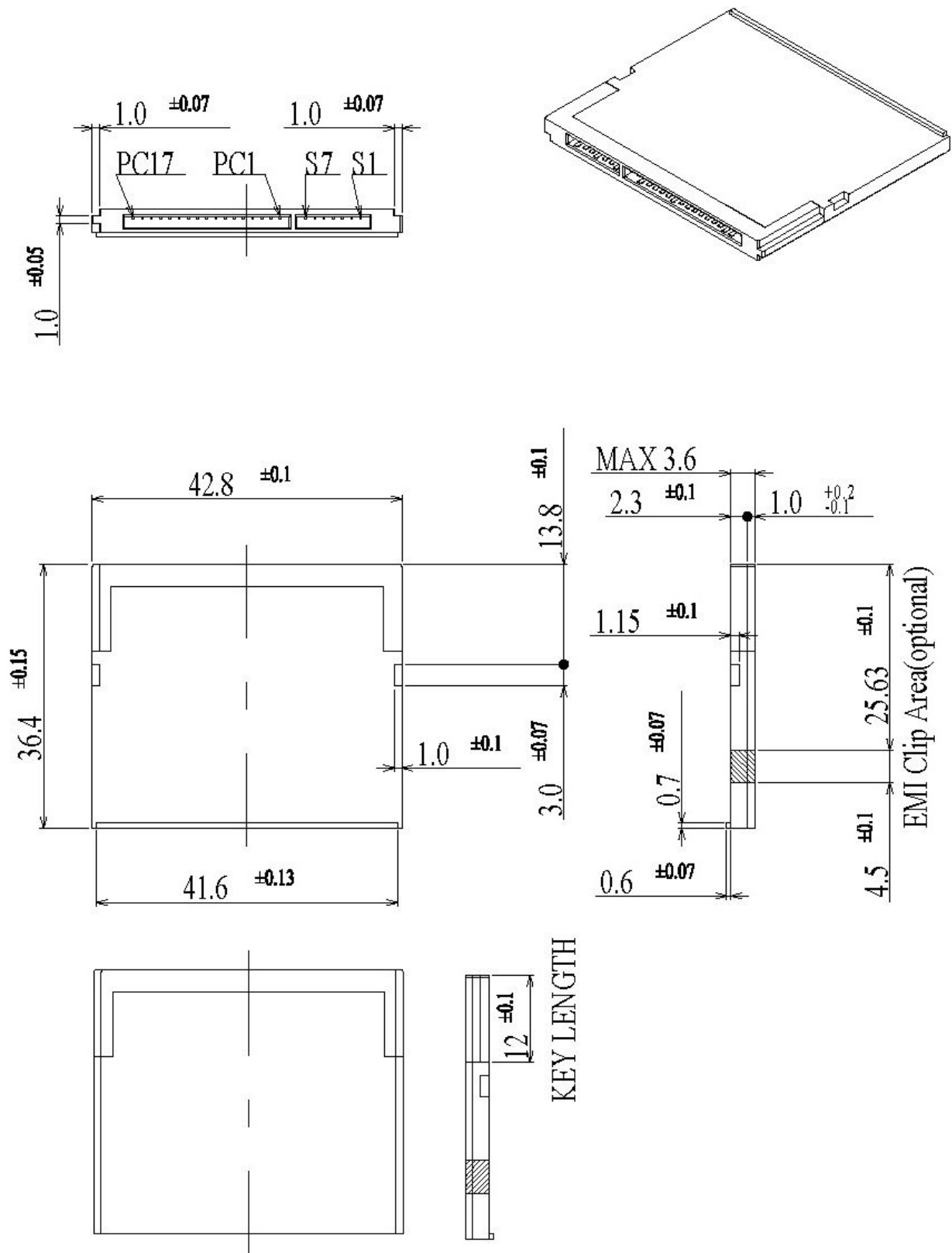


Figure 2: APRO MLC SATA III CFast Card Dimension

2.5.1. Conformal coating

Conformal coating is a protective, dielectric coating designed to conform to the surface of an assembled printed circuit board. Commonly used conformal coatings include silicone, acrylic, urethane and epoxy. APRO applies only silicone on APRO storage products upon request especially by customers. The type of silicone coating features good thermal shock resistance due to flexibility. It is also easy to apply and repair.

Conformal coating offers protection of circuitry from moisture, fungus, dust and corrosion caused by extreme environments. It also prevents damage from those Flash storages handling during construction, installation and use, and reduces mechanical stress on components and protects from thermal shock. The greatest advantage of conformal coating is to allow greater component density due to increased dielectric strength between conductors.

APRO uses MIL-I-46058C silicon conformal coating

3. Interface Description

3.1. APRO CFast Card interface

APRO CFast Card is equipped with 7 pins in the signal segment and 17 pins in the power segment.



Figure 3: SATA 7-pin (data) + 17-pin (power)

3.2. Pin Assignments

Refer to Table 7 and see Figure 3 for APRO MLC CFast Card – PHANES-C Series pin assignments. There are total of 7 pins in the signal segment and 17 pins in the power segment. The pin assignments are listed in below table 7.

Table 7 - Pin Assignments


Name	Type	Description
S1	GND	NA
S2	A+	Differential Signal Pair A
S3	A-	
S4	GND	NA
S5	B-	Differential Signal Pair B
S6	B+	
S7	GND	NA

Key and Spacing separate signal and power segments		
P1	CDI	Card Detect In
P2	PGND	Device Ground
P3	DEVSLP	Device Sleep
P4	NA	Reserved
P5	NA	Reserved
P6	NA	Reserved
P7	PGND	Device Ground
P8	LED1	LED Output
P9	LED2	LED Output
P10	NA	Reserved
P11	NA	Reserved
P12	IFDET	NA
P13	PWR	Device Power
P14	PWR	Device Power
P15	PGND	Device Ground
P16	PGND	Device Ground
P17	CDO	Card Detect Out


Appendix A: Ordering Information

1. Part Number List

◆ **APRO MLC SATA III CFast Card – PHANES-C Series with Plastic frame Kit**

Product Picture	Grade	Standard grade (0°C ~ 70°C)	Wide Temp Grade (-40°C ~ +85°C)
	4GB	SPCFA004G-PCCTMA	WPCFA004G-PCCTMA/C
	8GB	SPCFA008G-PCCTMA	WPCFA008G-PCCTMA/C
	16GB	SPCFA016G-PCCTMA	WPCFA016G-PCCTMA/C
	32GB	SPCFA032G-PCCTMA	WPCFA032G-PCCTMA/C
	64GB	SPCFA064G-PCCTMA	WPCFA064G-PCCTMA/C
	128GB	SPCFA128G-PCCTMA	WPCFA128G-PCCTMA/C

◆ **APRO MLC SATA III CFast Card – PHANES-C Series with Rugged Metal frame Kit**

Product Picture	Grade	Standard grade (0°C ~ 70°C)	Wide Temp Grade (-40°C ~ +85°C)
	4GB	SRCFA004G-PCCTMA	WRCFA004G-PCCTMA/C
	8GB	SRCFA008G-PCCTMA	WRCFA008G-PCCTMA/C
	16GB	SRCFA016G-PCCTMA	WRCFA016G-PCCTMA/C
	32GB	SRCFA032G-PCCTMA	WRCFA032G-PCCTMA/C
	64GB	SRCFA064G-PCCTMA	WRCFA064G-PCCTMA/C
	128GB	SRCFA128G-PCCTMA	WRCFA128G-PCCTMA/C

2. Part Number Decoder:

X1 X2 X3 X4 X5 X6 X7 X8 X9 — **X11 X12 X13 X14 X15 X16** — **C**

X1 : Grade

S : Standard Grade – operating temp. 0° C ~ 70 ° C
W : Wide Temp Grade- operating temp. -40° C ~ +85 ° C
 (With Conformal Coating treatment on PCBA)

X2 : The material of case

P : Plastic frame kit
R : Rugged Metal frame kit

X3 X4 X5 : Product category

CFA : CFast card

X6 X7 X8 X9 : Capacity

004G:	4GB	032G:	32GB
008G:	8GB	064G:	64GB
016G:	16GB	128G:	128GB

X12 : Controller version

A, B, C.....

X13 : Controller Grade

C : Commercial grade

X14 : Flash IC

T : Toshiba MLC-NAND Flash IC

X15 : Flash IC grade / Type

M : MLC-NAND Flash IC

X16 : Flash IC

A : A19 nm

C : Reserved for specific requirement

C : Conformal-coating

X11 : Controller

P : Phison (PHANES-C Series)

Appendix B: Limited Warranty

APRO warrants your SATA III CFast Cards against defects in material and workmanship for the life of the drive. The warranty is void in the case of misuse, accident, alteration, improper installation, misapplication or the result of unauthorized service or repair. The implied warranties of merchantability and fitness for a particular purpose, and all other warranties, expressed or implied, except as set forth in this warranty, shall not apply to the products delivered. In no event shall APRO be liable for any lost profits, lost savings or other incidental or consequential damages arising out of the use of, or inability to use, this product.

BEFORE RETURNING PRODUCT, A RETURN MATERIAL AUTHORIZATION (RMA) MUST BE OBTAINED FROM APRO.

Product shall be returned to APRO with shipping prepaid. If the product fails to conform based on customers' purchasing orders, APRO will reimburse customers for the transportation charges incurred.

WARRANTY PERIOD:

- SxCFAxxxG-PCCTMA 2 years

- WxCFAxxxG-PCCTMA/C 2 years



The warranty period is able to extend. Please contact APRO and/or Your APRO distributors for more information.